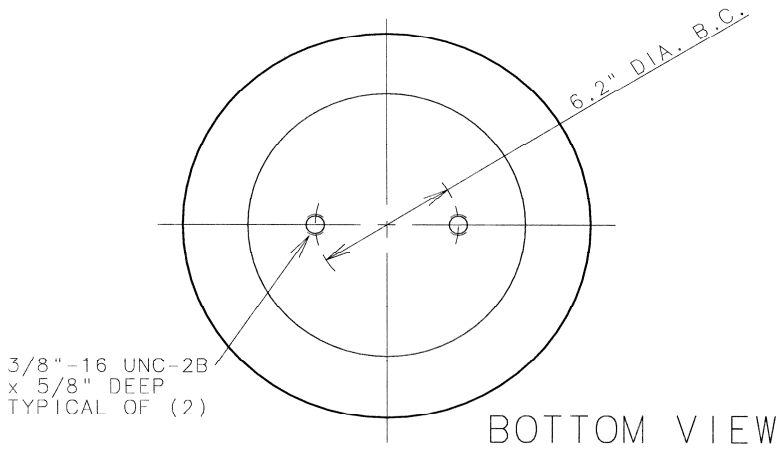
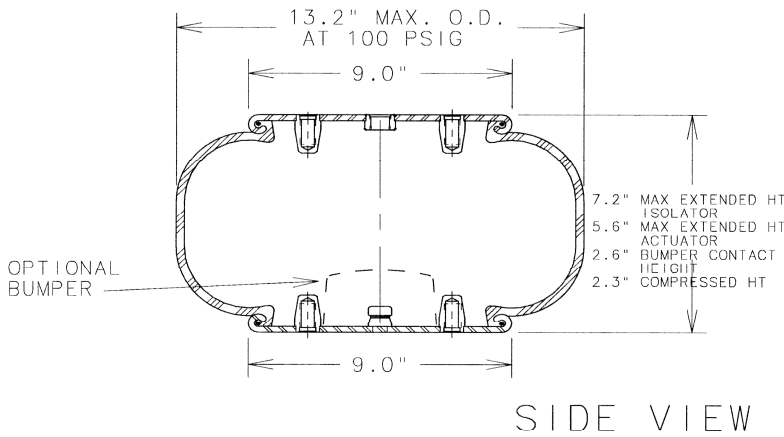
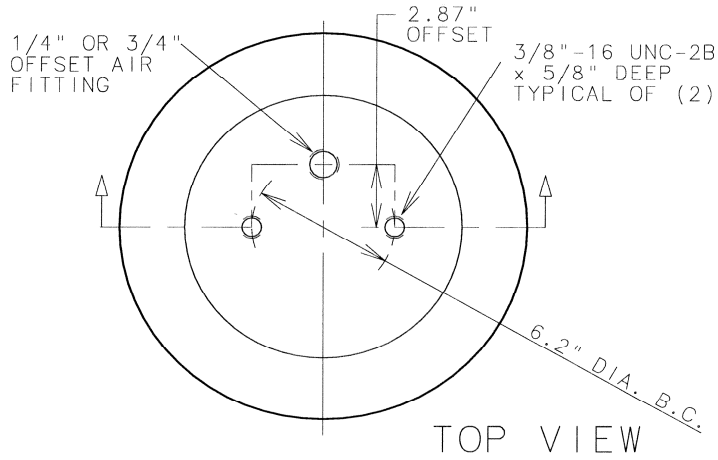




1B12-313



ASSEMBLY NUMBER	ELASTOMER	AIR FITTING	BUMPER INCLUDED
1B12-313	NAT. RUBBER	1/4"-18 NPTF OFFSET 2.87"	NO
1B12-301	NAT. RUBBER	1/4"-18 NPTF OFFSET 2.87"	YES
1B12-304	NAT. RUBBER	3/4"-14 NPTF OFFSET 2.87"	NO
1B12-305	NAT. RUBBER	3/4"-14 NPTF OFFSET 2.87"	YES
578913301 FLEXMEMBER ONLY	NAT. RUBBER	----	---

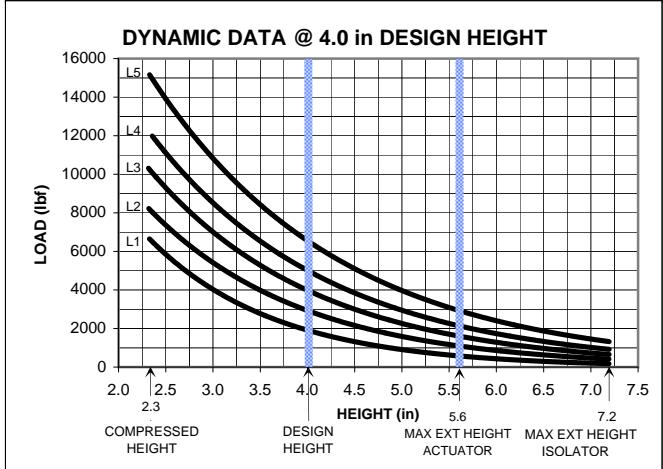
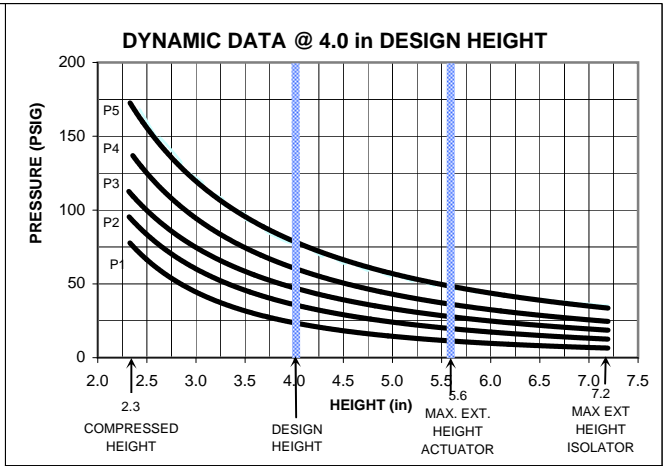
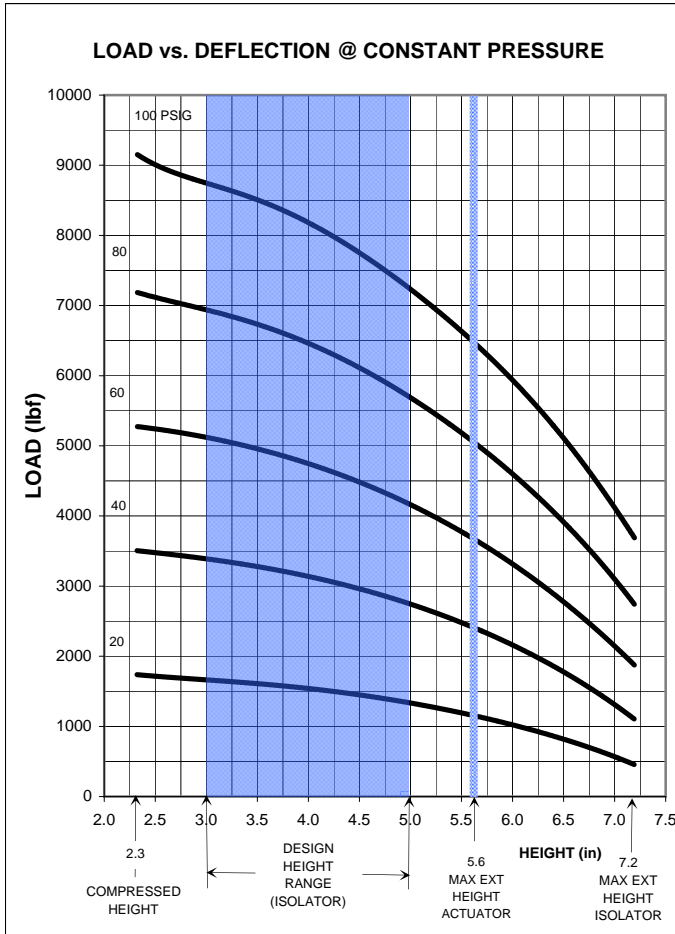
SPRING FEATURES:

- LOAD RANGE (ISOLATOR).....1350-8800 lb
- DESIGN HEIGHT RANGE (ISOLATOR).....3.0-5.0 in
- USEABLE STROKE w/o BUMPER (ACTUATOR)....3.3 in
- USEABLE STROKE WITH BUMPER (ACTUATOR)...3.0 in
- ASSEMBLY WEIGHT.....10.6 lb
- FORCE TO COMPRESS AT 0 PSIG (APPROX.)...35 lb
- NOMINAL FREE STANDING HT. AT 0 PSIG....4.8 in

RECOMMENDED MAX. TORQUE VALUES

3/8"-16 UNC BLIND TAP TYP. OF (4)	1/4"-18 UNC AIR FITTING	3/4"-14 UNC AIR FITTING
300 in-lb 25 ft-lb	240 in-lb 20 ft-lb	240 in-lb 20 ft-lb

NOTE: SEE GUIDELINES FOR PROPER APPLICATION OF THIS PRODUCT



****NOTE: MAXIMUM INFLATION PRESSURE IS 100 PSIG. MAXIMUM JOUNCE PRESSURE IS 200 PSIG. IF YOUR APPLICATION WILL EXCEED THESE LIMITS, CONSULT A GOODYEAR ENGINEERED PRODUCTS AIR SPRINGS REPRESENTATIVE FOR APPLICATION ASSISTANCE.**

CONSTANT PRESSURE CHARACTERISTICS

Assembly Height (in)	Volume @ 100 PSIG (in ³)	Nominal Force (lb)				
		@ 20 PSIG	@ 40 PSIG	@ 60 PSIG	@ 80 PSIG	@ 100 PSIG
		7.2	618	440	1050	1800
6.5	569	800	1800	2800	3900	5100
6.0	531	1050	2200	3100	4600	6000
5.6	497	1150	2450	3650	5050	6550
5.5	489	1200	2500	3800	5200	6700
5.0	445	1350	2800	4200	5700	7300
4.5	400	1450	3000	4500	6100	7800
4.0	354	1500	3100	4800	6500	8200
3.5	311	1600	3300	5000	6800	8500
3.0	263	1700	3400	5100	7000	8800
2.3	190	1700	3500	5300	7100	9100

DYNAMIC CHARACTERISTICS

Design Height (in)	Load (lb)	Pressure (PSIG)	Spring Rate (lb/in)	Natural Frequency	
				cpm	Hz
5.0	2000	28	1040	135	2.25
	3000	42	1415	129	2.15
	4000	55	1810	127	2.12
	5000	69	2175	124	2.07
	6500	89	2725	121	2.02
4.0	2000	25	1225	147	2.45
	3000	37	1640	139	2.32
	4000	49	2055	135	2.25
3.0	5000	61	2475	132	2.20
	6500	79	3070	129	2.15
	2000	23	1570	167	2.78
	3000	34	2120	158	2.63
	4000	46	2600	151	2.52
3.0	5000	57	3425	148	2.47
	6500	74	3895	145	2.42

The GOODYEAR (and Winged Foot Design) trademark is used by Veyance Technologies, Inc. under license from The Goodyear Tire & Rubber Company. Goodyear Engineered Products are manufactured and sourced exclusively by Veyance Technologies, Inc. or its affiliates. The following trademarks are licensed to Veyance Technologies, Inc. by The Goodyear Tire & Rubber Company, including Compass, Eagle Pd, Flexten, Gatorback and GY Metric. ©2008 Veyance Technologies, Inc. All Rights Reserved.