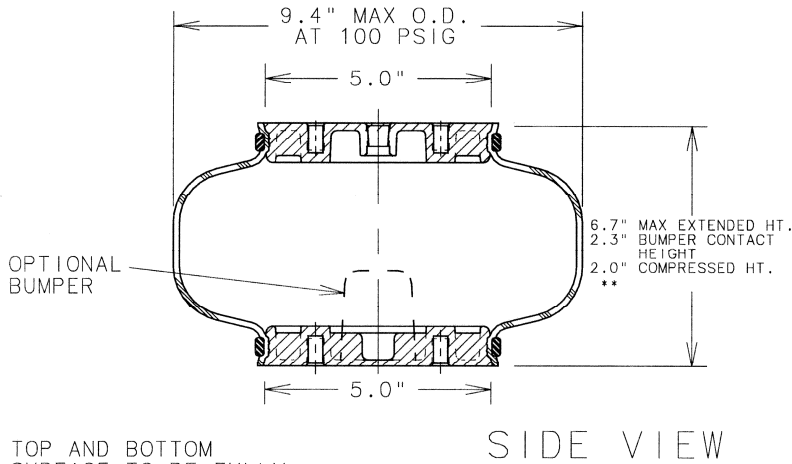
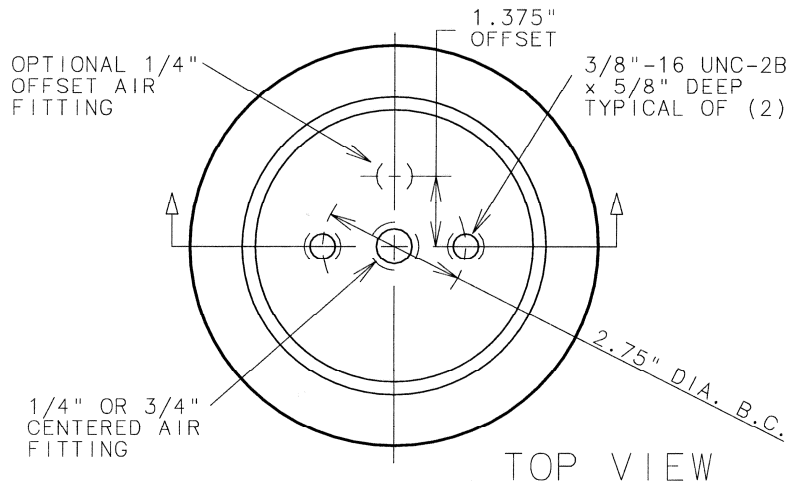
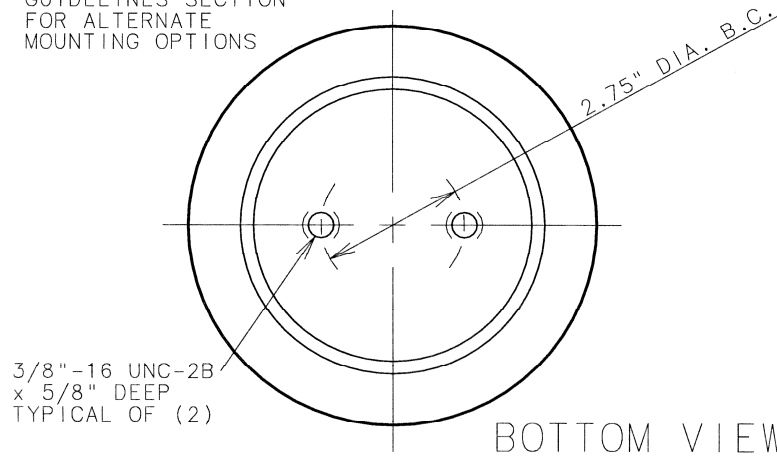




1B8-560



TOP AND BOTTOM SURFACE TO BE FULLY SUPPORTED BY 9.65" DIA. PLATE OR SEE INSTALLATION GUIDELINES SECTION FOR ALTERNATE MOUNTING OPTIONS



| ASSEMBLY NUMBER | ELASTOMER | AIR FITTING | BUMPER INCLUDED |
|-----------------|------------|----------------------------|-----------------|
| 1B8-560 | WINGPRENE® | 1/4"-18 NPTF CENTERED | NO |
| 1B8-562 | WINGPRENE® | 3/4"-14 NPTF CENTERED | NO |
| 1B8-563 | WINGPRENE® | 1/4"-18 NPTF OFFSET 1.375" | NO |
| 1B8-564 | WINGPRENE® | 1/4"-18 NPTF OFFSET 1.375" | YES |

** - AS ACTUATOR DO NOT USE BELOW 3.5" HEIGHT. SEE INSTALLATION GUIDELINES.

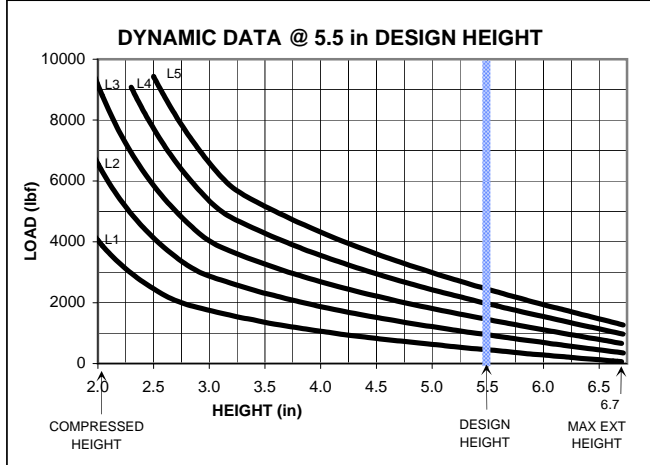
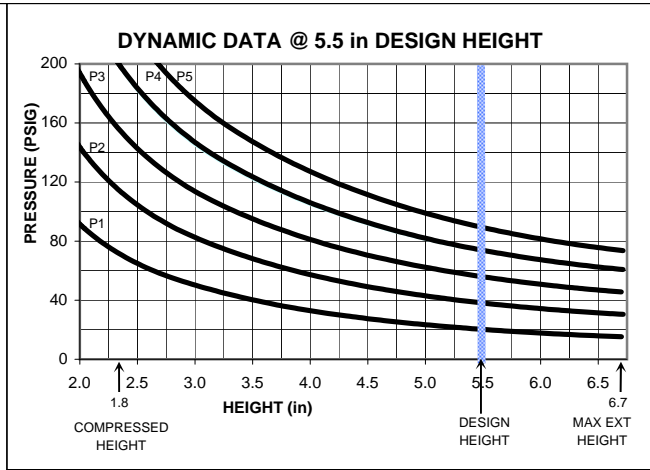
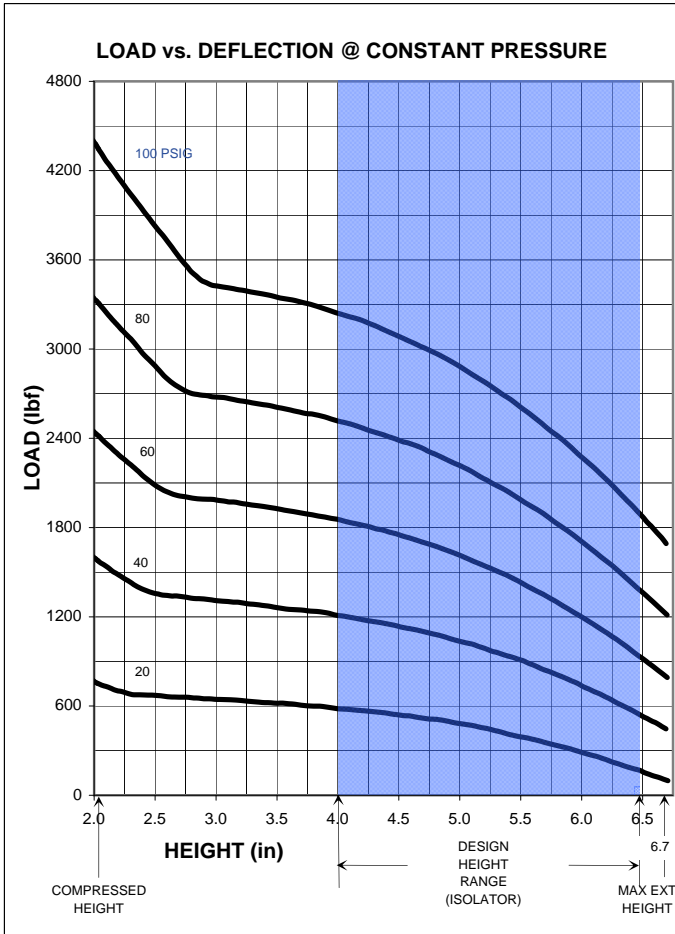
SPRING FEATURES:

- LOAD RANGE (ISOLATOR).....180-3300 lb
- DESIGN HEIGHT RANGE (ISOLATOR).....4.0-6.5 in
- USEABLE STROKE w/o BUMPER (ACTUATOR)**...3.2 in
- USEABLE STROKE WITH BUMPER (ACTUATOR)...N.A. in
- ASSEMBLY WEIGHT w/o BUMPER.....4.8 lb
- FORCE TO COMPRESS AT 0 PSIG (APPROX.)...25 lb
- NOMINAL FREE STANDING HT. AT 0 PSIG....3.3 in

RECOMMENDED MAX. TORQUE VALUES

| 3/8"-16 UNC BLIND TAP TYP. OF (4) | 1/4"-18 UNC AIR FITTING | 3/4"-14 UNC AIR FITTING |
|-----------------------------------|-------------------------|-------------------------|
| 240 in-lb 20 ft-lb | 240 in-lb 20 ft-lb | 240 in-lb 20 ft-lb |

NOTE: SEE GUIDELINES FOR PROPER APPLICATION OF THIS PRODUCT



****NOTE: MAXIMUM INFLATION PRESSURE IS 100 PSIG. MAXIMUM JOUNCE PRESSURE IS 200 PSIG. IF YOUR APPLICATION WILL EXCEED THESE LIMITS, CONSULT A GOODYEAR ENGINEERED PRODUCTS AIR SPRINGS REPRESENTATIVE FOR APPLICATION ASSISTANCE.**

CONSTANT PRESSURE CHARACTERISTICS

| Assembly Height (in) | Volume @ 100 PSIG (in ³) | Nominal Force (lb) | | | | |
|----------------------|--------------------------------------|--------------------|-----------|-----------|-----------|------------|
| | | @ 20 PSIG | @ 40 PSIG | @ 60 PSIG | @ 80 PSIG | @ 100 PSIG |
| 6.7 | 239 | 80 | 450 | 750 | 1200 | 1600 |
| 6.5 | 235 | 180 | 540 | 950 | 1450 | 1900 |
| 5.5 | 208 | 420 | 900 | 1450 | 2000 | 2700 |
| 4.5 | 178 | 560 | 1150 | 1800 | 2400 | 3100 |
| 4.0 | 162 | 600 | 1200 | 1850 | 2600 | 3300 |
| 3.5 | 146 | 640 | 1300 | 1900 | 2700 | 3400 |
| 3.0 | 129 | 680 | 1350 | 2000 | 2700 | 3500 |
| 2.5 | 111 | 700 | 1350 | 2100 | 3000 | 3900 |
| 2.0 | 104 | 800 | 1650 | 2500 | 3500 | 4500 |

DYNAMIC CHARACTERISTICS

| Design Height (in) | Load (lb) | Pressure (PSIG) | Spring Rate (lb/in) | Natural Frequency | |
|--------------------|-----------|-----------------|---------------------|-------------------|------|
| | | | | cpm | Hz |
| 6.5 | 500 | 32 | 480 | 184 | 3.07 |
| | 1000 | 56 | 725 | 160 | 2.67 |
| | 1500 | 78 | 965 | 151 | 2.52 |
| | 2000 | 98 | 1165 | 142 | 2.37 |
| 5.5 | 500 | 22 | 355 | 158 | 2.63 |
| | 1000 | 40 | 545 | 138 | 2.30 |
| | 1500 | 58 | 725 | 130 | 2.17 |
| | 2000 | 76 | 905 | 126 | 2.10 |
| | 2500 | 91 | 1045 | 122 | 2.03 |
| 4.0 | 500 | 15 | 322 | 150 | 2.50 |
| | 1000 | 31 | 520 | 134 | 2.23 |
| | 1500 | 46 | 670 | 125 | 2.08 |
| | 2000 | 61 | 860 | 122 | 2.03 |
| | 2500 | 76 | 1005 | 119 | 1.98 |

The GOODYEAR (and Winged Foot Design) trademark is used by Veyance Technologies, Inc. under license from The Goodyear Tire & Rubber Company. Goodyear Engineered Products are manufactured and sourced exclusively by Veyance Technologies, Inc. or its affiliates. The following trademarks are licensed to Veyance Technologies, Inc. by The Goodyear Tire & Rubber Company, including Compass, Eagle Pd, Flexten, Gatorback and GY Metric. ©2008 Veyance Technologies, Inc. All Rights Reserved.