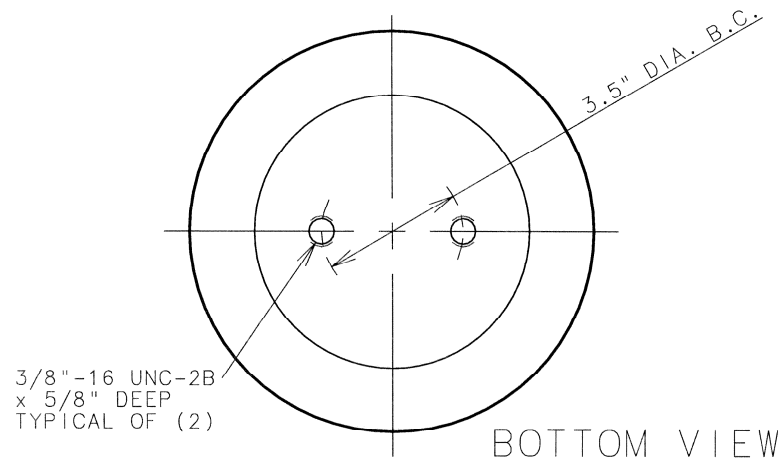
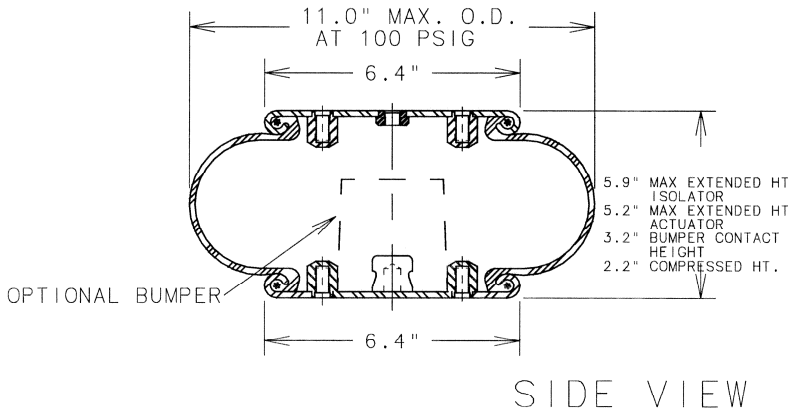
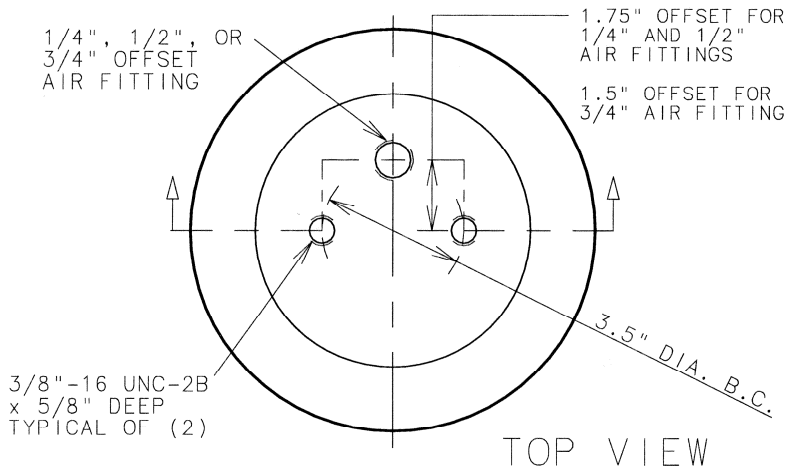




1B9-202



ASSEMBLY NUMBER	ELASTOMER	AIR FITTING	BUMPER INCLUDED
1B9-202	NAT. RUBBER	1/4"-18 NPTF OFFSET 1.75"	NO
1B9-201	NAT. RUBBER	1/4"-18 NPTF OFFSET 1.75"	YES
1B9-204	NAT. RUBBER	1/2"-14 NPTF OFFSET 1.75"	NO
1B9-205	NAT. RUBBER	1/2"-14 NPTF OFFSET 1.75"	YES
1B9-207	NAT. RUBBER	3/4"-14 NPTF OFFSET 1.5"	NO
1B9-208	NAT. RUBBER	3/4"-14 NPTF OFFSET 1.5"	YES
578913201 FLEXMEMBER ONLY	NAT. RUBBER	----	---

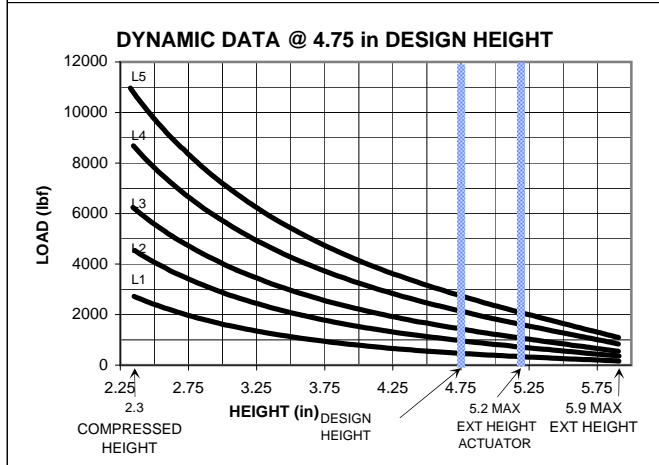
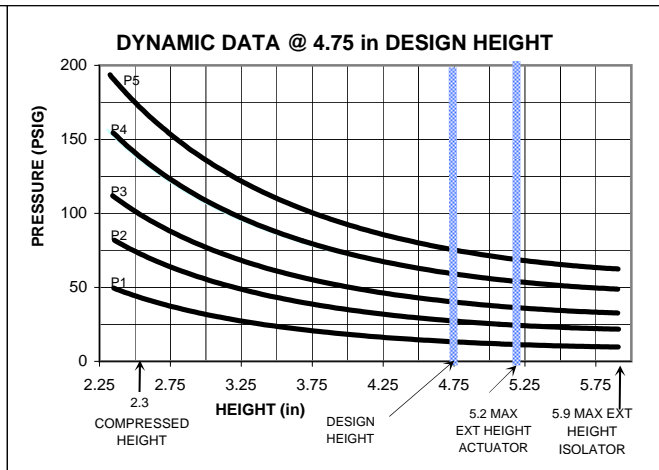
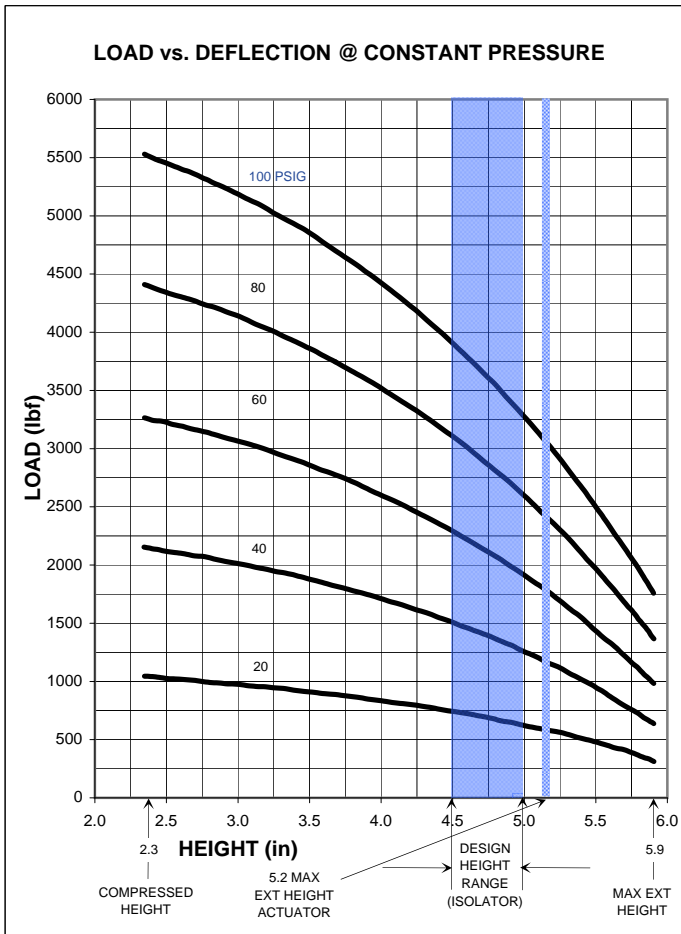
SPRING FEATURES:

- LOAD RANGE (ISOLATOR).....640-3900 lb
- DESIGN HEIGHT RANGE (ISOLATOR).....4.5-5.0 in
- USEABLE STROKE w/o BUMPER (ACTUATOR)....3.0 in
- USEABLE STROKE WITH BUMPER (ACTUATOR)...2.0 in
- ASSEMBLY WEIGHT.....6.5 lb
- FORCE TO COMPRESS AT 0 PSIG (APPROX.)...20 lb
- NOMINAL FREE STANDING HT. AT 0 PSIG.....5.7 in

RECOMMENDED MAX. TORQUE VALUES

3/8"-16 UNC BLIND TAP TYP. OF (4)	1/4"-18 UNC AIR FITTING	1/2"-14 UNC AIR FITTING	3/4"-14 UNC AIR FITTING
300 in-lb 25 ft-lb	240 in-lb 20 ft-lb	240 in-lb 20 ft-lb	240 in-lb 20 ft-lb

NOTE: SEE GUIDELINES FOR PROPER APPLICATION OF THIS PRODUCT



****NOTE: MAXIMUM INFLATION PRESSURE IS 100 PSIG. MAXIMUM JOUNCE PRESSURE IS 200 PSIG. IF YOUR APPLICATION WILL EXCEED THESE LIMITS, CONSULT A GOODYEAR ENGINEERED PRODUCTS AIR SPRINGS REPRESENTATIVE FOR APPLICATION ASSISTANCE.**

CONSTANT PRESSURE CHARACTERISTICS

Assembly Height (in)	Volume @ 100 PSIG (in ³)	Nominal Force (lb)				
		@ 20 PSIG	@ 40 PSIG	@ 60 PSIG	@ 80 PSIG	@ 100 PSIG
5.9	283	280	560	850	1200	1500
5.5	270	480	950	1450	1900	2500
5.2	260	580	1140	1700	2300	2900
5.0	253	640	1250	1900	2600	3200
4.75	244	700	1400	2100	2800	3600
4.5	233	750	1500	2300	3100	3900
4.0	211	850	1700	2600	3500	4400
3.5	187	900	1900	2900	3900	4900
3.0	162	1000	2000	3100	4200	5200
2.5	136	1050	2100	3200	4400	5500
2.3	126	1100	2200	3300	4500	5600

DYNAMIC CHARACTERISTICS

Design Height (in)	Load (lb)	Pressure (PSIG)	Spring Rate (lb/in)	Natural Frequency	
				cpm	Hz
5.0	500	15	355	158	2.63
	1000	31	695	157	2.62
	1500	46	990	153	2.55
	2200	67	1405	150	2.50
4.75	2800	83	1740	148	2.47
	500	14	360	159	2.65
	1000	28	640	150	2.50
	1500	41	940	149	2.48
4.5	2200	61	1310	145	2.42
	2800	77	1650	144	2.40
	500	13	360	158	2.63
	1000	25	630	150	2.50
4.5	1500	38	900	146	2.43
	2200	55	1255	143	2.38
	2800	70	1570	141	2.35

The GOODYEAR (and Winged Foot Design) trademark is used by Veyance Technologies, Inc. under license from The Goodyear Tire & Rubber Company. Goodyear Engineered Products are manufactured and sourced exclusively by Veyance Technologies, Inc. or its affiliates. The following trademarks are licensed to Veyance Technologies, Inc. by The Goodyear Tire & Rubber Company, including Compass, Eagle Pd, Flexten, Gatorback and GY Metric. ©2008 Veyance Technologies, Inc. All Rights Reserved.