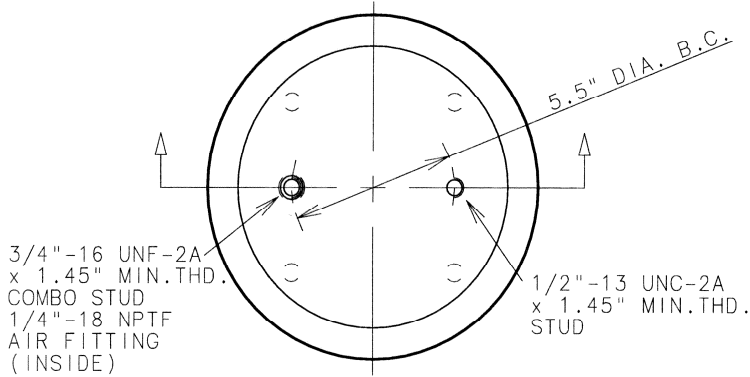
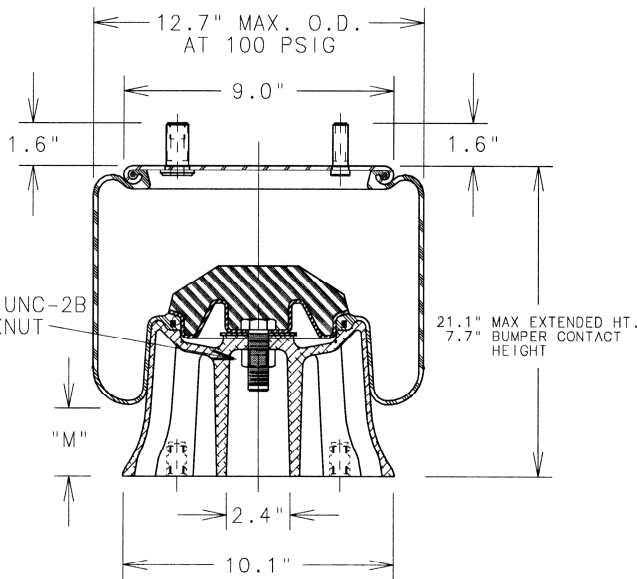




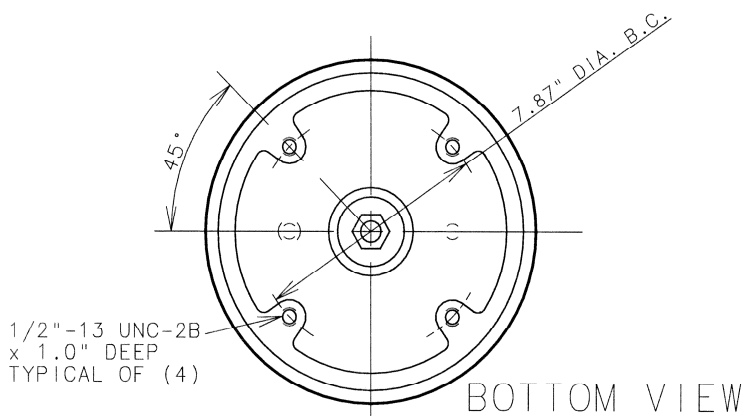
# 1R12-092



TOP VIEW



SIDE VIEW



BOTTOM VIEW

ASSEMBLY NUMBER	ELASTOMER	AIR FITTING	BUMPER INCLUDED
1R12-092	NAT. RUBBER	1/4"-18 NPTF COMBO STUD	YES

SPRING FEATURES:

- LOAD RANGE (ISOLATOR).....1350-7600 lb
- DESIGN HEIGHT RANGE (ISOLATOR)....10.5-16.5 in
- USEABLE STROKE (ACTUATOR).....13.4 in
- ASSEMBLY WEIGHT.....18.3 lb
- COMPOSITE PISTON

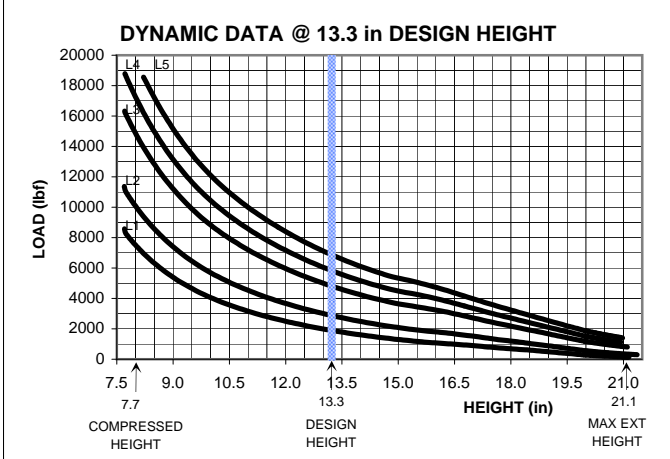
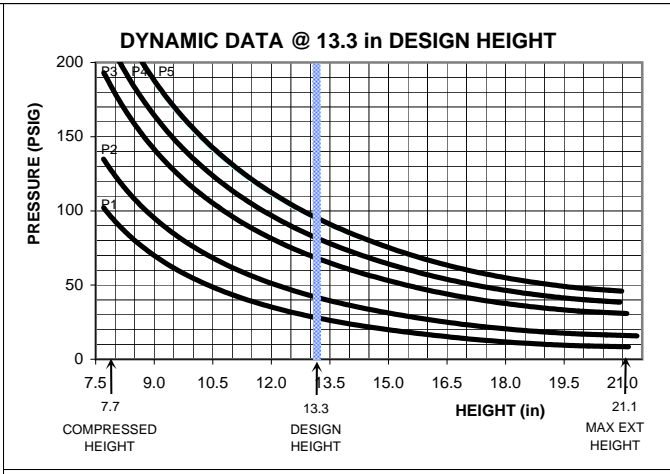
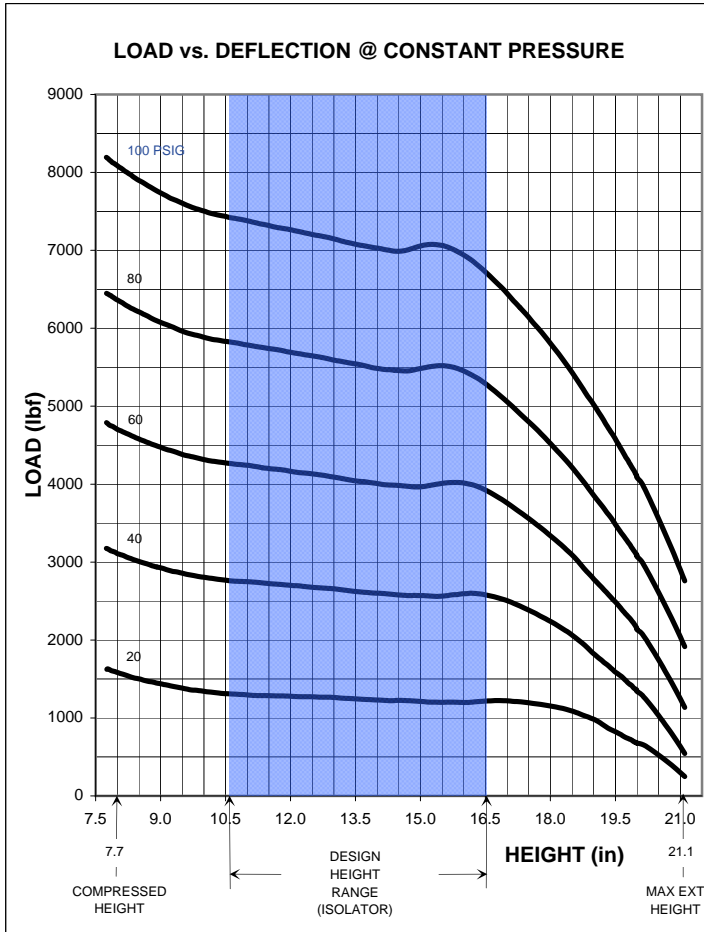
OTHER OPTIONS:

- METRIC ATTACHMENTS
- UPPER BEAD PLATE:
- ALTERNATE BOLT LENGTHS AND SPACINGS
  - ALTERNATE AIR FITTING SIZES AND LOCATIONS
  - NO BUMPER OR ALTERNATE BUMPER
- PISTON:
- ALTERNATE HEIGHTS
  - ALUMINUM PISTON
  - STEEL PISTON WITH GREATER EFFECTIVE AREA

RECOMMENDED MAX. TORQUE VALUES

3/4"-16 UNF COMBO STUD	1/2"-13 UNC TOP STUD	1/2"-13 UNC BLIND TAP TYP. OF (4)	1/4"-18 UNC AIR FITTING
600 in-lb 50 ft-lb	300 in-lb 25 ft-lb	300 in-lb 25 ft-lb	240 in-lb 20 ft-lb
3/4"-10 UNC HEX LOCKNUT			
900 in-lb 75 ft-lb			

NOTE: SEE GUIDELINES FOR PROPER APPLICATION OF THIS PRODUCT



**\*\*NOTE: MAXIMUM INFLATION PRESSURE IS 100 PSIG. MAXIMUM JOUNCE PRESSURE IS 200 PSIG. IF YOUR APPLICATION WILL EXCEED THESE LIMITS, CONSULT A GOODYEAR ENGINEERED PRODUCTS AIR SPRINGS REPRESENTATIVE FOR APPLICATION ASSISTANCE.**

### CONSTANT PRESSURE CHARACTERISTICS

Assembly Height (in)	Meniscus Height "M" Dim. @ 100 PSIG (in)	Volume @ 100 PSIG (in <sup>3</sup> )	Nominal Force (lb)				
			@ 20 PSIG	@ 40 PSIG	@ 60 PSIG	@ 80 PSIG	@ 100 PSIG
21.1	5.9	1330	320	620	1200	1700	2700
20.0	5.7	1259	680	1350	2100	3000	4100
18.0	5.5	1124	1200	2200	3400	4600	5900
16.5	5.1	1010	1350	2700	3900	5300	6800
15.0	4.4	891	1300	2700	4200	5700	7300
13.3	3.4	762	1350	2800	4200	5700	7300
12.0	2.7	634	1400	2800	4300	5800	7400
10.5	1.8	563	1400	2900	4400	5900	7600
9.0	1.1	463	1500	3000	4500	6100	4800
7.7	0.5	379	1600	3200	4700	6400	8100

### DYNAMIC CHARACTERISTICS

Design Height (in)	Load (lb)	Pressure (PSIG)	Spring Rate (lb/in)	Natural Frequency	
				cpm	Hz
16.5	2000	29	395	84	1.40
	3000	43	580	83	1.38
	5000	71	900	80	1.33
	6000	86	1065	79	1.32
13.3	7000	100	1210	78	1.30
	2000	29	425	86	1.43
	3000	43	585	83	1.38
	5000	69	830	77	1.28
10.5	6000	83	960	75	1.25
	7000	95	1090	74	1.23
	2000	27	625	105	1.75
	3000	41	795	97	1.62
10.5	5000	68	1160	90	1.50
	6000	80	1315	88	1.47
	7000	94	1485	86	1.43

The GOODYEAR (and Winged Foot Design) trademark is used by Veyance Technologies, Inc. under license from The Goodyear Tire & Rubber Company. Goodyear Engineered Products are manufactured and sourced exclusively by Veyance Technologies, Inc. or its affiliates. The following trademarks are licensed to Veyance Technologies, Inc. by The Goodyear Tire & Rubber Company, including Compass, Eagle Pd, Flexten, Gatorback and GY Metric. ©2008 Veyance Technologies, Inc. All Rights Reserved.