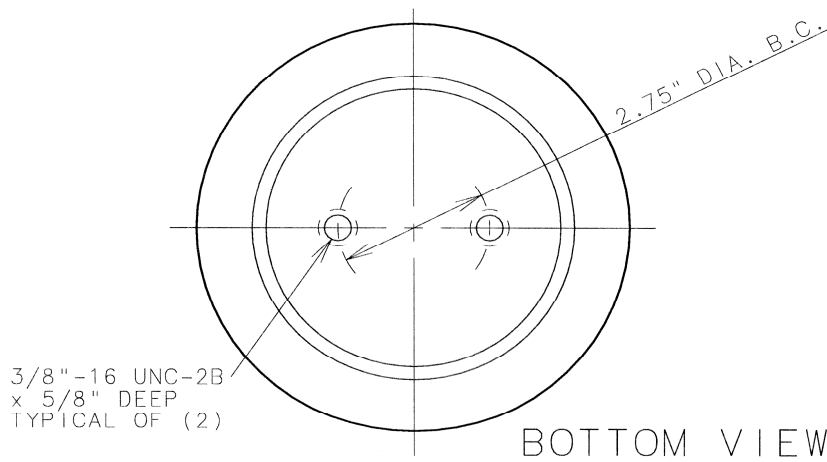
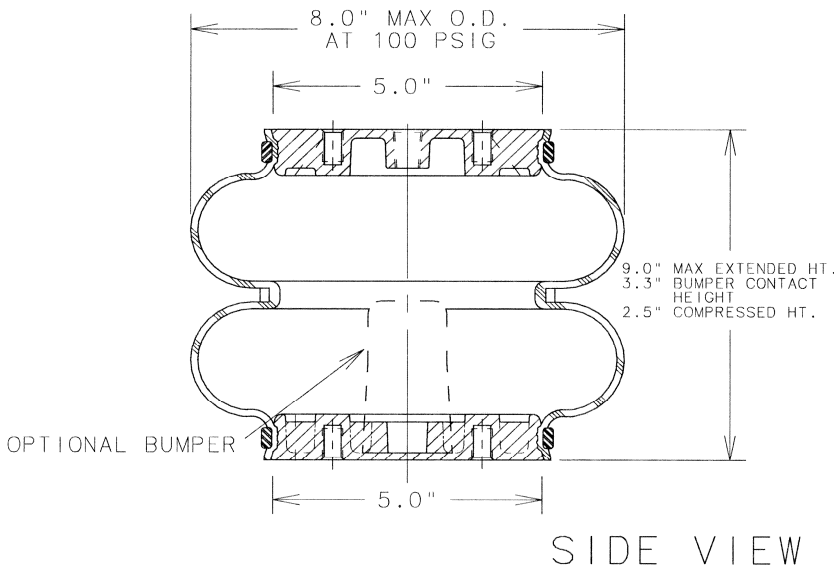
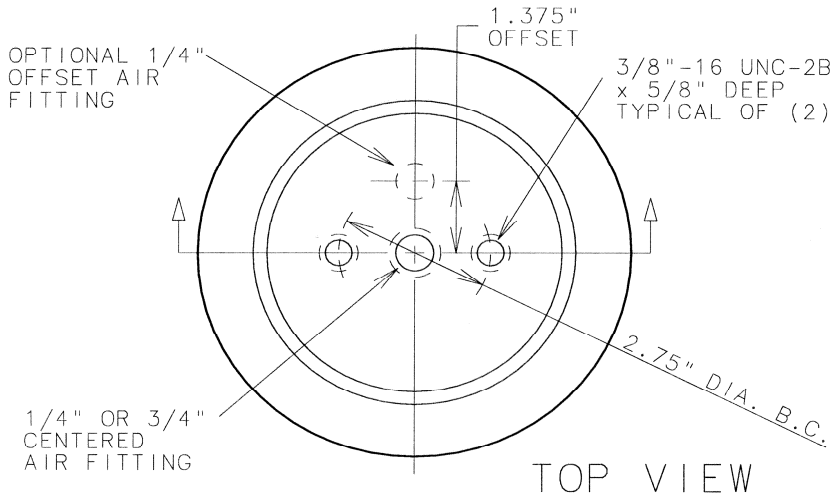




2B7-540



| ASSEMBLY NUMBER | ELASTOMER | AIR FITTING | BUMPER INCLUDED |
|-----------------|------------|----------------------------|-----------------|
| 2B7-540 | WINGPRENE® | 1/4"-18 NPTF CENTERED | NO |
| 2B7-541 | WINGPRENE® | 1/4"-18 NPTF OFFSET 1.375" | NO |
| 2B7-542 | WINGPRENE® | 1/4"-18 NPTF OFFSET 1.375" | YES |
| 2B7-546 | WINGPRENE® | 3/4"-14 NPTF CENTERED | NO |

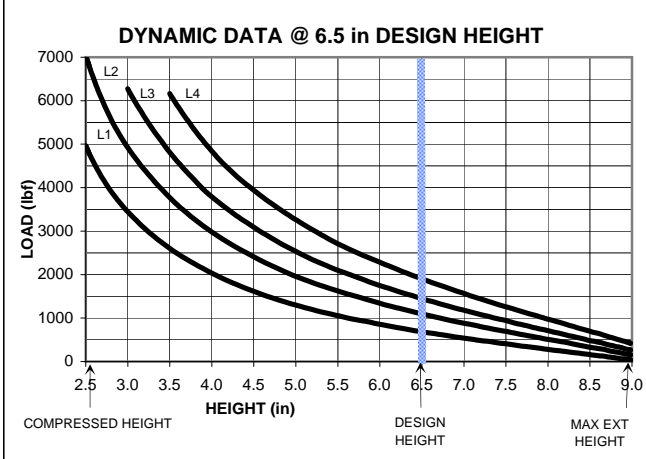
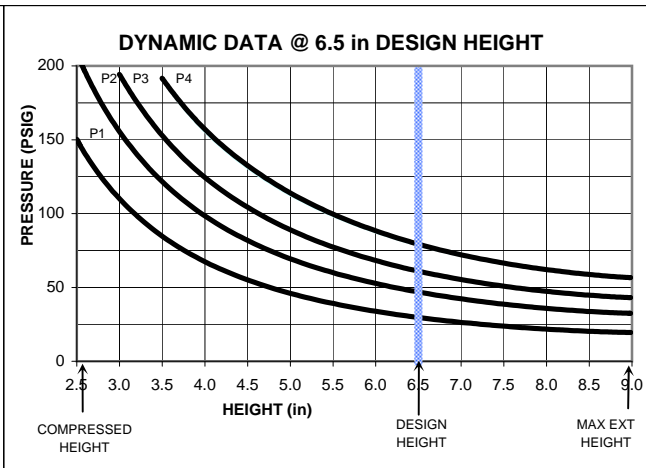
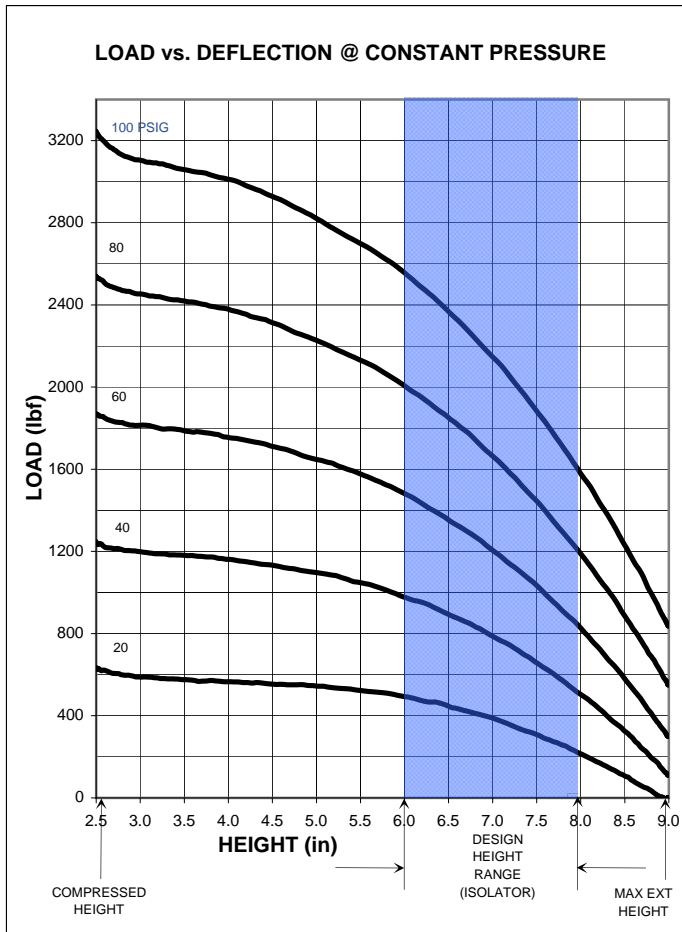
SPRING FEATURES:

- LOAD RANGE (ISOLATOR).....230-2500 lb
- DESIGN HEIGHT RANGE (ISOLATOR).....6.0-8.0 in
- USEABLE STROKE w/o BUMPER (ACTUATOR)....6.5 in
- USEABLE STROKE WITH BUMPER (ACTUATOR)...5.7 in
- ASSEMBLY WEIGHT w/o BUMPER.....5.5 lb
- FORCE TO COMPRESS AT 0 PSIG (APPROX.)...40 lb
- NOMINAL FREE STANDING HT. AT 0 PSIG.....6.7 in

RECOMMENDED MAX. TORQUE VALUES

| 3/8"-16 UNC BLIND TAP TYP. OF (4) | 1/4"-18 UNC AIR FITTING | 3/4"-14 UNC AIR FITTING |
|-----------------------------------|-------------------------|-------------------------|
| 240 in-lb 20 ft-lb | 240 in-lb 20 ft-lb | 240 in-lb 20 ft-lb |

NOTE: SEE GUIDELINES FOR PROPER APPLICATION OF THIS PRODUCT



****NOTE: MAXIMUM INFLATION PRESSURE IS 100 PSIG. MAXIMUM JOUNCE PRESSURE IS 200 PSIG. IF YOUR APPLICATION WILL EXCEED THESE LIMITS, CONSULT A GOODYEAR ENGINEERED PRODUCTS AIR SPRINGS REPRESENTATIVE FOR APPLICATION ASSISTANCE.**

CONSTANT PRESSURE CHARACTERISTICS

| Assembly Height (in) | Volume @ 100 PSIG (in ³) | Nominal Force (lb) | | | | |
|----------------------|--------------------------------------|--------------------|-----------|-----------|-----------|------------|
| | | @ 20 PSIG | @ 40 PSIG | @ 60 PSIG | @ 80 PSIG | @ 100 PSIG |
| 9.0 | 232 | 0 | 110 | 280 | 540 | 800 |
| 8.5 | 222 | 120 | 320 | 640 | 900 | 1250 |
| 8.0 | 214 | 230 | 500 | 800 | 1200 | 1600 |
| 7.0 | 195 | 380 | 800 | 1200 | 1700 | 2100 |
| 6.5 | 182 | 460 | 900 | 1350 | 1800 | 2300 |
| 6.0 | 151 | 500 | 950 | 1450 | 2000 | 2500 |
| 5.0 | 136 | 540 | 1100 | 1600 | 2200 | 2800 |
| 4.0 | 105 | 560 | 1150 | 1700 | 2400 | 3000 |
| 3.0 | 74 | 580 | 1200 | 1800 | 2400 | 3100 |
| 2.5 | 59 | 620 | 1200 | 1800 | 2500 | 3200 |

DYNAMIC CHARACTERISTICS

| Design Height (in) | Load (lb) | Pressure (PSIG) | Spring Rate (lb/in) | Natural Frequency | |
|--------------------|-----------|-----------------|---------------------|-------------------|------|
| | | | | cpm | Hz |
| 8.0 | 730 | 48 | 450 | 147 | 2.45 |
| | 1150 | 72 | 655 | 142 | 2.37 |
| | 1500 | 92 | 800 | 137 | 2.28 |
| 6.5 | 730 | 31 | 335 | 126 | 2.10 |
| | 1150 | 49 | 480 | 122 | 2.03 |
| | 1500 | 63 | 595 | 118 | 1.97 |
| 6.0 | 1950 | 81 | 730 | 115 | 1.92 |
| | 730 | 30 | 325 | 125 | 2.08 |
| | 1150 | 46 | 475 | 121 | 2.02 |
| 6.0 | 1500 | 59 | 575 | 117 | 1.95 |
| | 1950 | 76 | 715 | 114 | 1.90 |

The GOODYEAR (and Winged Foot Design) trademark is used by Veyance Technologies, Inc. under license from The Goodyear Tire & Rubber Company. Goodyear Engineered Products are manufactured and sourced exclusively by Veyance Technologies, Inc. or its affiliates. The following trademarks are licensed to Veyance Technologies, Inc. by The Goodyear Tire & Rubber Company, including Compass, Eagle Pd, Flexten, Gatorback and GY Metric. ©2008 Veyance Technologies, Inc. All Rights Reserved.