

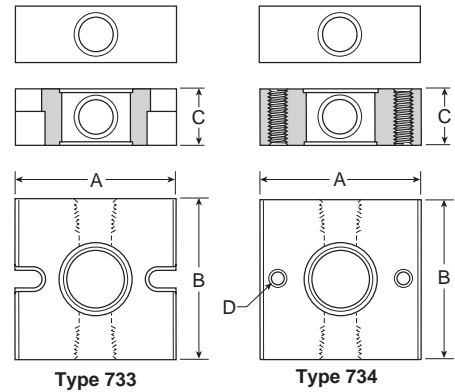
A

105 Series Porting Blocks



Features

- Designed to Fit within Any 105 Series Combination, Providing Two 3/8" Branch Ports



Part Number	Type 0733	Type 0734	Screws	Contains	
				O-Rings	Application
PK1054	1	—	2 (Long)	1	Between Filter & Reg.; Reg. & Lub.; End Plate & Filter; Lub. & End Plate
PK1055	—	1	4 (Short)	2	Between Filter & Coalescer; Filter & Lubricator

Type	A	B	C	D
0733	2.69 (68.4)	2.69 (68.3)	1.00 (25.4)	N/A
0734	2.69 (68.4)	2.69 (68.3)	1.00 (25.4)	1/4-20UNC-2B

Inches
(mm)

35 & 75 Series Branch Blocks



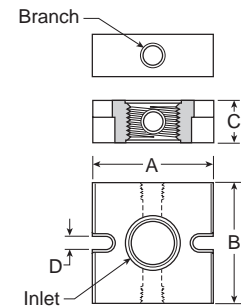
BB35



BB75

Features

- Blocks Function as End Plates with 1/8" NPT Branch Lines Available Top and Bottom
- Also Used in Conjunction with Direction Plates and Regulators to Provide Outlets for Gauges



Part Number	Inlet Port	Branch Port
BB35-1-1	1/8"	1/8"
BB35-2-1	1/4"	1/8"
BB75-2-1	1/4"	1/8"
BB75-3-1	3/8"	1/8"
BB75-3-2	3/8"	1/4"

Part Number	A	B	C
BB35-1-1	1.61 (40.9)	1.61 (40.9)	0.90 (22.9)
BB35-2-1	1.61 (40.9)	1.61 (40.9)	0.90 (22.9)
BB75-2-1	2.00 (50.8)	2.00 (50.8)	0.94 (23.9)
BB75-3-1	2.00 (50.8)	2.00 (50.8)	0.94 (23.9)
BB75-3-2	2.00 (50.8)	2.00 (50.8)	0.94 (23.9)

Inches
(mm)