

Directional valves → Electrically operated

**5/2-way valve, Series TC08**

► Qn = 800 l/min ► pipe connection ► compressed air connection output: G 1/8 ► Electr. connection: Plug, ISO 15217, form C ► Manual override: with detent ► single solenoid, double solenoid



00137794

Version	Spool valve, zero overlap
Sealing principle	soft sealing
Mounting on manifold strip	P-strip
Working pressure min./max.	See table below
Control pressure min./max.	See table below
Ambient temperature min./max.	-10 °C / +50 °C
Medium temperature min./max.	-10 °C / +50 °C
Medium	Compressed air
Max. particle size	5 µm
Oil content of compressed air	0 mg/m³ - 5 mg/m³
Connector standard	ISO 15217:2000
Degree of protection with electrical connector/plug	IP 65
Duty cycle	100 %
Generic emission standard in accordance with	EN 50081:1992
mounting screw tightening torque	2 Nm
Materials:	
Housing	Polyamide, fiber-glass reinforced
Seals	Acrylonitrile Butadiene Rubber; Polyurethane
Front plate	Polyamide, fiber-glass reinforced

**Technical Remarks**

- The pressure dew point must be at least 15 °C under ambient and medium temperature and may not exceed 3 °C.
- The oil content of air pressure must remain constant during the life cycle.
- Use only the approved oils from Bosch Rexroth, see chapter „Technical information“.

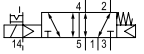

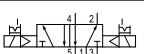

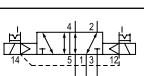

Operating voltage	Voltage tolerance	Power consumption
DC	DC	DC
		W
24 V	-10% / +10%	2

	MO	Compressed air connection			Operating voltage	Flow conductance		Flow rate value	Nominal resistance	Working pressure min./max.	Part No.
		Input	Output	Exhaust		b	C				
					DC			Qn			
							[l/(s*bar)]	[l/min]		[bar]	
		G 1/8	G 1/8	G 1/8	24 V	0.36	3.5	800	280	2.5 / 10	<b>0820060001</b>
		G 1/8	G 1/8	G 1/8	24 V	0.36	3.5	800	280	-0.9 / 10	<b>0820060051</b>
		G 1/8	G 1/8	G 1/8	24 V	0.36	3.5	800	280	3 / 10	<b>0820060026</b> R422103046

## Directional valves → Electrically operated

**5/2-way valve, Series TC08**

► Qn = 800 l/min ► pipe connection ► compressed air connection output: G 1/8 ► Electr. connection: Plug, ISO 15217, form C ► Manual override: with detent ► single solenoid, double solenoid

	MO	Compressed air connection			Operating voltage	Flow conductance		Flow rate value	Nominal resistance	Working pressure min./max.	Part No.	
		Input	Output	Exhaust		DC	b					C
							[l/(s*bar)]					[l/min]
		G 1/8	G 1/8	G 1/8	24 V -	0.36	3.5	800	280 -	-0.9 / 10	<b>0820060076</b> R422103048	
		G 1/8	G 1/8	G 1/8	24 V -	0.36	3.5	800	280 -	2 / 10	<b>0820060501</b> R422103050	
		G 1/8	G 1/8	G 1/8	24 V -	0.36	3.5	800	280 -	-0.9 / 10	<b>0820060551</b> R422103052	

Part No.	Control pressure min./max.	Switch-on time	Switch-off time	Weight	Note
	[bar]	[ms]	[ms]	[kg]	
<b>0820060001</b>	2.5 / 10	14	18	0.14	1)
<b>0820060051</b>	2.5 / 10	14	18	0.14	2)
<b>0820060026</b> R422103046	3 / 10	14	17	0.14	1) 1); 3)
<b>0820060076</b> R422103048	3 / 10	14	17	0.14	2) 2); 3)
<b>0820060501</b> R422103050	2 / 10	10	10	0.172	1) 1); 3)
<b>0820060551</b> R422103052	2 / 10	10	10	0.172	2) 2); 3)

MO = Manual override

1) Pilot: internal

2) Pilot: external

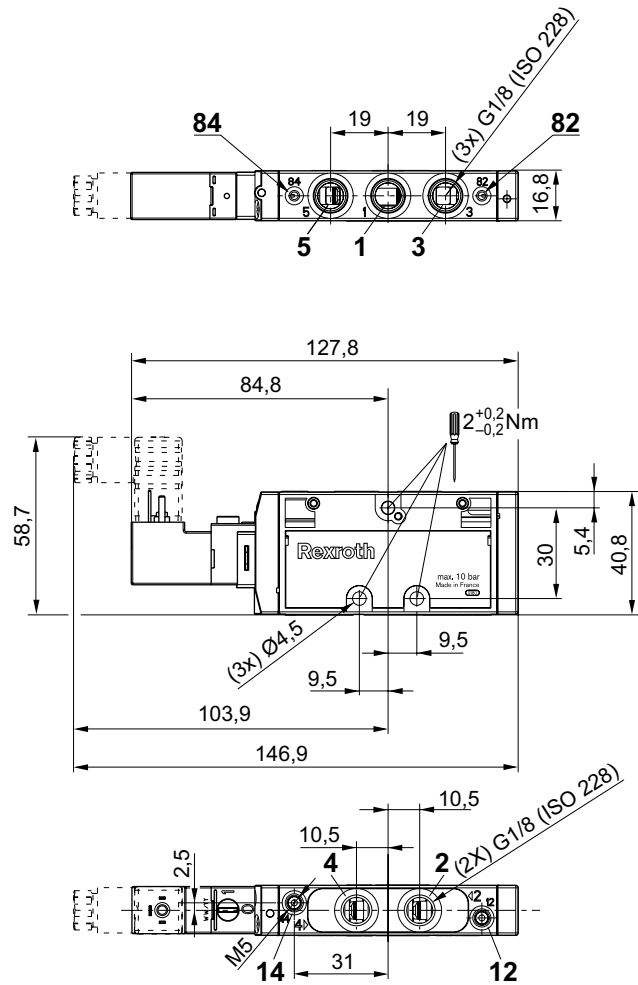
3) Basic valve without coil

Nominal flow Qn at 6 bar and  $\Delta p = 1$  bar

## Directional valves → Electrically operated

**5/2-way valve, Series TC08**

►  $Q_n = 800 \text{ l/min}$  ► pipe connection ► compressed air connection output: G 1/8 ► Electr. connection: Plug, ISO 15217, form C ► Manual override: with detent ► single solenoid, double solenoid

**Dimensions, single solenoid**

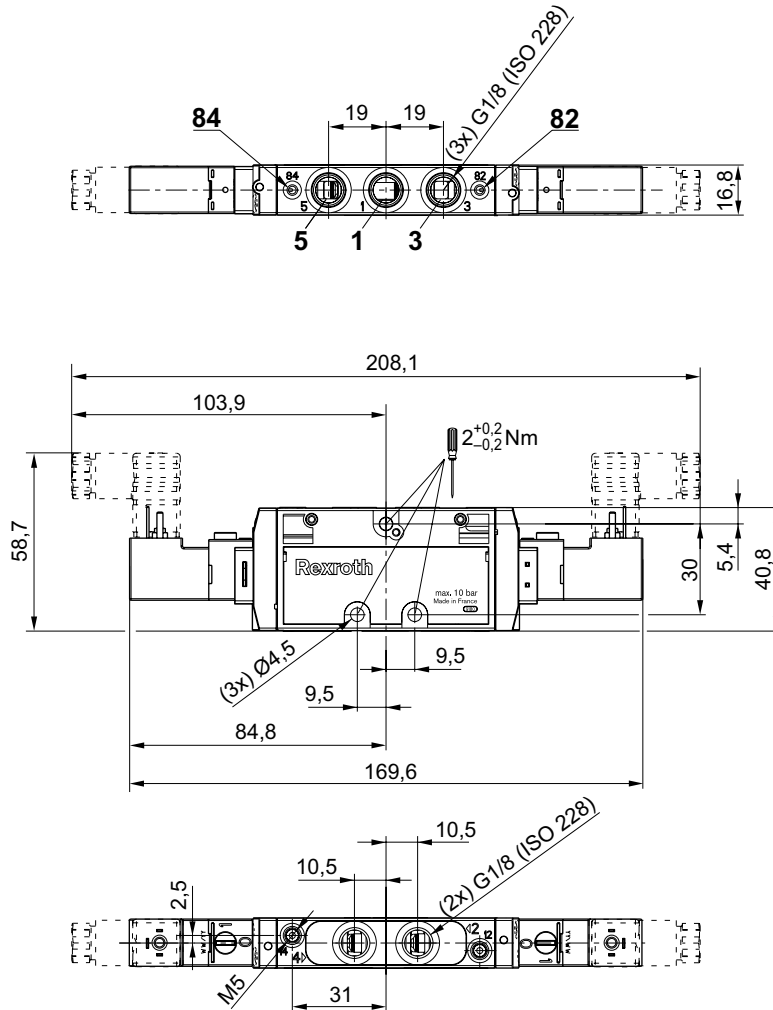
00111317\_a

## Directional valves → Electrically operated

**5/2-way valve, Series TC08**

►  $Q_n = 800 \text{ l/min}$  ► pipe connection ► compressed air connection output: G 1/8 ► Electr. connection: Plug, ISO 15217, form C ► Manual override: with detent ► single solenoid, double solenoid

## Dimensions, double solenoid



00111318\_a