

Manual Pumps

Efficient, Economical, and Easy-to-Use Manual Pumps

DESCRIPTION

The Trabon Manual Pump provides a simple, compact, cost-effective way to operate manual oil or grease systems, to purge oil or grease systems, and/or to test the performance of divider valves.

Dispense both grease and oil with one pump. This manual pump has a robust metal reservoir with air purge port and a 345 bar (5000 psi) gauge. When used in grease applications; a retractable grease follower with handle indicates how much grease remains in the reservoir.

To simplify and speed lubrication to hard-to-get-at-fittings, the pump includes a 12-inch high pressure flex-hose that swings through a full 360° along with a 1/8" NPT Male Swivel outlet connection for ease of installation at Trabon MJ & MSP divider valves, Manzel MHP divider valves, or bearing lube points.

The pump comes complete with a hard plastic case to carry and store the pump with some extra room to hold small tools. The external case dimensions are 8 in x 21 in x 2.5 in. The inside of the cover includes a laminated label containing air purging and divider valve troubleshooting information to assist operator.

FEATURES

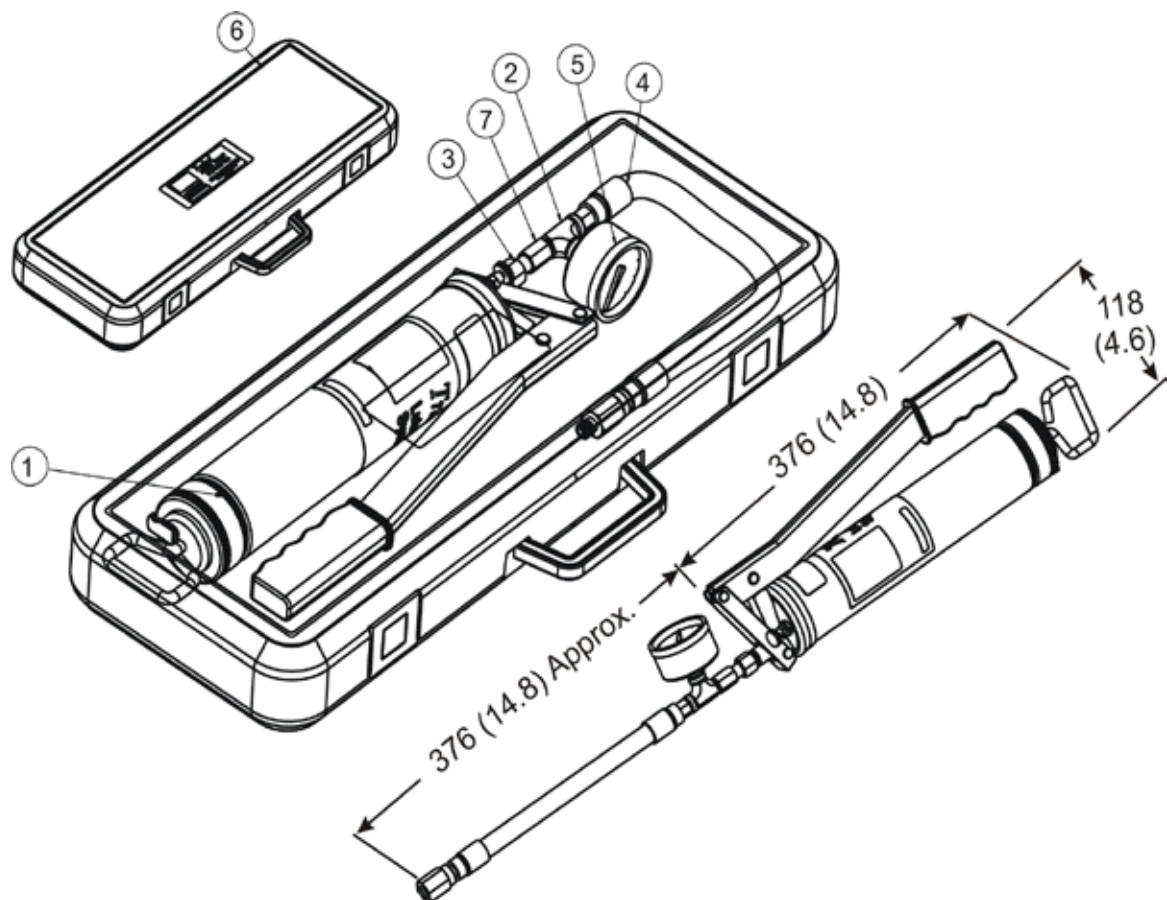
- Steel reservoir and pump body protects components against the hard knocks common in use of portable manual pumps
- Excellent pump balance, compactness, and comfortable grip handle combine to make the pump easy and less fatiguing to handle and operate.
- Built-in automatic handle stop protects the pump's mechanical linkage, extending pump life.
- 5000 psi (345 bar) maximum operating pressure to cover a wide range of industrial, mobile, and compressor applications.
- Reservoir capacity is 1 lb (0.453 kg) of grease or 1 pint (500 cc) of oil. This means fewer stops to refill.



Manual Grease Pump

SPECIFICATION	
Lubricant	Oil or grease
Pressure Rating	5000 psi (345 bar)
Pump Output per full Stroke	0.09 cu. in. (1.5 cc)
Reservoir Capacity	
Oil	1 pint (500 cc)
Grease	1 lb (0.453 kg)
Fill by Suction Grease	Fill by suction or with a 14-14.5 oz grease cartridge
Reservoir Material	Steel
Pump Body Material	Steel
Storage Case Material	HDPE plastic

DIMENSIONS mm (Inches)



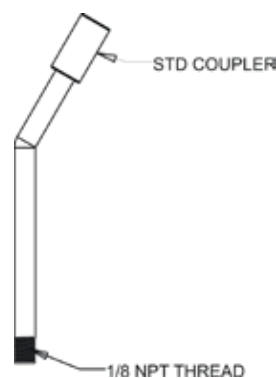
MANUAL PUMP PARTS LIST

Description	Part No.	Old Part No.
1 - 5000 psi Manual Grease/Oil Pump	556022	142-000-750
2 - 1/8 NPT Male Run Tee	556419	412-380-010
3 - FTG 1/8M BSPT x 1/8F NP	555458	412-700-612
4 - 1/8 NPT Hose Assembly w/Swivel	556774	443-700-037
5 - 5000 psi Pressure Gauge	557283	493-020-264
6 - Plastic Storage Case	557310	498-000-029
7 - Fitting Adaptor 1/8FP x 1/8MP	557393	509-028-000

ORDERING INFORMATION

Description	Part No.	Old Part No.
Manual Oil/Grease Pump Assembly	562857	142-000-751
Optional Wall Mounting Clamp (2 required)	558959	543-032-000
Optional 6 in. Rigid Extension Pipe w/ Zerk Coupler	200389	509-020-001

Graco endorses the SAE recommendation of ISO 18/14 (ISO 4406) oil cleanliness for most bearings applications. Some high speed bearings may require cleaner oil. Consult the bearing manufacturer for recommendation.



Contact us today!

To receive product information or talk with a Graco representative, call 800-533-9655 or visit us online at www.graco.com.