
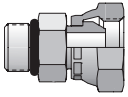
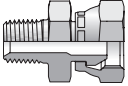
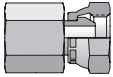

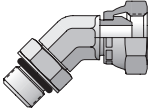
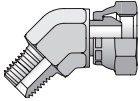
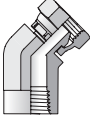

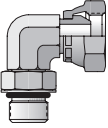
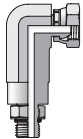
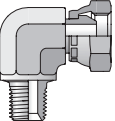
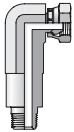
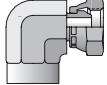

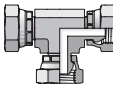
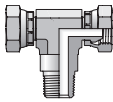
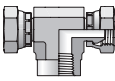




# *Pipe Swivels*



*The Fitting Authority*

<p><b>Straights</b></p> 	<p><b>0507</b> SAE-ORB / NPSM Swivel</p>  <p>H6</p>	<p><b>0107</b> NPTF / NPSM Swivel</p>  <p>H6</p>	<p><b>0207</b> NPTF / NPSM Swivel</p>  <p>H6</p>	<p><b>45° Elbows</b></p> 	<p><b>3507</b> SAE-ORB / NPSM Swivel</p>  <p>H6</p>
<p><b>3107</b> NPTF / NPSM Swivel</p>  <p>H7</p>	<p><b>3207</b> NPTF / NPSM Swivel</p>  <p>H7</p>	<p><b>90° Elbows</b></p> 	<p><b>2507</b> SAE-ORB / NPSM Swivel</p>  <p>H7</p>	<p><b>5507</b> SAE-ORB / NPSM Swivel</p>  <p>H7</p>	<p><b>2107</b> NPTF / NPSM Swivel</p>  <p>H8</p>
<p><b>5607</b> NPTF / NPSM Swivel Long Drop</p>  <p>H8</p>	<p><b>2207</b> NPTF / NPSM Swivel</p>  <p>H8</p>	<p><b>Tees</b></p> 	<p><b>077T</b> NPSM Swivel / NPSM Swivel / NPSM Swivel</p>  <p>H8</p>	<p><b>217T</b> NPSM Swivel / NPSM Swivel / NPTF</p>  <p>H9</p>	<p><b>227T</b> NPSM Swivel / NPSM Swivel / NPTF</p>  <p>H9</p>

## Introduction

Pipe swivel connections are one of the most traditional types of hydraulic connections. NPSM swivel adapters add versatility to male NPT hose and adapter connections. They are especially suited for manufacturers and end users that rely on this versatility. As a result, equipment manufacturers can simplify their hose assembly requirements by specifying NPSM adapters. See Fig. H1 for an illustration of this product flexibility.

Parker offers a full line of NPSM pipe swivel adapters. Fourteen configurations are available as standard, many of which are available in steel and stainless steel. Parker's pipe swivels are designed for use with male NPT/NPTF hose fittings and adapters with a 30° machined seat.

## Design and Construction

Pipe swivel adapters are manufactured in accordance to SAE J514 specifications, and thus are designed to work in conjunction with several manufacturers' hose and adapter products. Unlike most pipe thread connections, NPSM swivel adapters do not seal on the threads. NPSM swivel connections incorporate parallel threads, as opposed to tapered. Sealing is accomplished between the nose of the swivel and the mating seat of the NPT pipe thread. This creates a metal-to-metal seal as shown in Fig H2. Thus, a mating NPT male connector must have this 30° seat to ensure proper sealing. A full internal 30° seat with surface finish requirements of 125 Ra or better is required. See SAE J516 for specific requirements of the 30° seat.

**Construction:** Shaped pipe swivels are manufactured from a hot forged construction. Straight adapters and crimp nuts are manufactured from cold drawn barstock. All Parker pipe swivels with male NPT ends include a 30° machined seat for NPSM swivel connections.

**Not all male NPT ends have the 30° seat. Parts that have this seat will include a note in the catalog.**

### Threads:

NPTF:	ANSI B1.20.1, FED-STD-H28/7
NPT:	SAEJ476, ANSI B1.20.3, FED-STD-H28/8
NPSM:	ANSI B1.20.1, FED-STD-H28/7
*UN/UNF:	ANSI B1.1, FED-STD-H28/2 (*Class 2A or 2B)

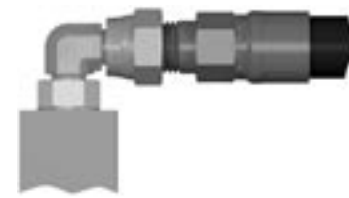
## Assembly and Installation

Please refer to [Section T](#) for the assembly and installation instructions for Pipe Swivels.

## Materials Specifications

Pipe swivels are manufactured using state-of-the-art equipment and manufacturing technologies to assure construction integrity, long service life and the highest strength & quality. These materials are shown in Table H1.

Upon request, pipe swivels can be furnished in materials, sizes and configurations other than Parker's standard offering.



Adapter Port Connection



NPSM / NPT Union

Fig. H1 — Illustration of the flexibility of the NPT Port and Hose Adapter system

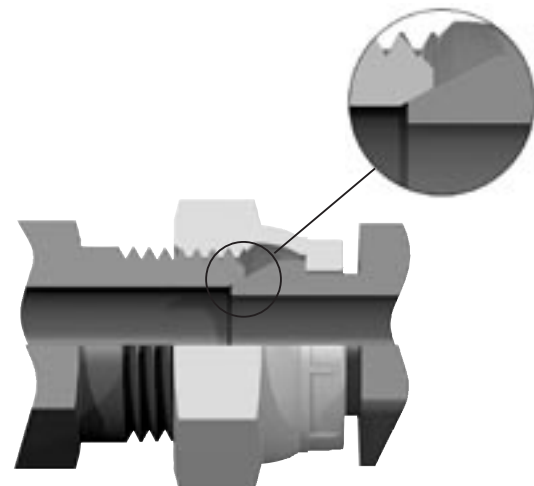


Fig. H2 — Illustration showing how NPSM swivel adapters seal on mating chamfer in male pipe thread

07 Adapters	Carbon Steel		Stainless Steel	
	ASTM	Type	ASTM	Type
Forged Bodies	A576	1214/1215	A182	316
Bar Stock Bodies	A108	12L14	A479	316
Crimp Swivel Nuts	A108	12L14	A479	316

**Note:** On request, 07 adapters can be furnished in materials other than those shown above.

**Finish:** Zinc with yellow chromate (being changed to zinc chromium 6 free) is used on all standard steel products. Stainless steel fittings are passivated.

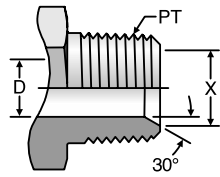
Table H1 — Standard Materials

Dimensions and pressures for reference only, subject to change.

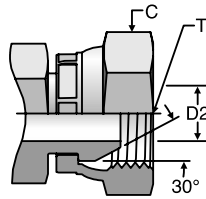
Feature	Advantage	Benefit
Metal-to-metal seal	Allows for a wide range of operating temperatures and media	Allows for increased versatility of pipe swivels
30° seat on male pipe end of all Parker pipe swivels	Allows pipe swivel to be used as both a port adapter and NPSM swivel connection	Improves versatility for flexible system requirements
Available in steel and stainless steel	Allows customer to match media and temperature applications without special fittings and seals	Standardization reduces procurement costs
Forged shapes	Higher resistance to mechanical shock and vibration that can lead to leakage	Reduces operational and maintenance costs
	Optimum balance of strength and machinability minimizes potential deformation while maintaining higher assembly torques and operating pressures	
Adaptable to SAE and NPT/ NPTF ports	Versatility for end customer and for customer standardization efforts	Standardization reduces procurement costs

Dimensions and pressures for reference only, subject to change.

## Pipe Swivel (NPSM) Ends



Male Pipe End



NPSM Pipe Swivel

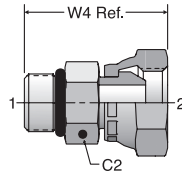
	NPT/NPTF Thread	NPSM Thread	Hex - Swivel	Drill - Male	Drill - Swivel	Chamfer Dia.	Thread Length
Size	PT NPT/NPTF	T NPSM	C (in.)	D (in.)	D2 (in.)	X (in.)	L (in.)
<b>2</b>	1/8-27	1/8-27	9/16	0.188	0.156	0.281	0.38
<b>4</b>	1/4-18	1/4-18	11/16	0.281	0.219	0.344	0.56
<b>6</b>	3/8-18	3/8-18	7/8	0.406	0.344	0.469	0.56
<b>8</b>	1/2-14	1/2-14	1	0.531	0.469	0.625	0.75
<b>12</b>	3/4-14	3/4-14	1 1/4	0.719	0.641	0.813	0.75
<b>16</b>	1-11 1/2	1-11 1/2	1 1/2	0.938	0.844	1.031	0.94
<b>20</b>	1 1/4-11 1/2	1 1/4-11 1/2	1 7/8	1.250	1.141	1.344	0.97
<b>24</b>	1 1/2-11 1/2	1 1/2-11 1/2	2 1/8	1.500	1.359	1.625	1.00
<b>32</b>	2-11 1/2	2-11 1/2	2 5/8	1.938	1.813	2.063	1.03

Dimensions and pressures for reference only, subject to change.

### 0507

Straight Thread Adapter  
SAE-ORB / NPSM Swivel

SAE 140157

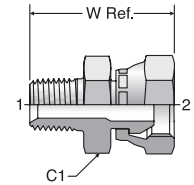


TUBE FITTING PART #	END SIZE		C2 HEX BODY (in.)	W4 (in.)	STANDARD Dynamic Pressure (x 1,000 PSI)		
	1	2			-S	-SS	-B
	UN/UNF-2A	NPSM					
0507-4-2	7/16-20	1/8-27	9/16	1.21	6.0		
0507-4-4	7/16-20	1/4-18	9/16	1.32	6.0		
0507-5-4	1/2-20	1/4-18	5/8	1.32	6.0		
0507-6-4	9/16-18	1/4-18	11/16	1.35	6.0		
0507-6-6	9/16-18	3/8-18	11/16	1.37	6.0		
0507-6-8	9/16-18	1/2-14	3/4	1.57	5.0		
0507-8-4	3/4-16	1/4-18	7/8	1.43	6.0		
0507-8-6	3/4-16	3/8-18	7/8	1.45	6.0		
0507-8-8	3/4-16	1/2-14	7/8	1.56	5.0		
0507-8-12	3/4-16	3/4-14	1	1.79	4.0		
0507-10-6	7/8-14	3/8-18	1	1.59	5.0		
0507-10-8	7/8-14	1/2-14	1	1.73	5.0		
0507-10-12	7/8-14	3/4-14	1 1/4	1.88	4.0		
0507-12-8	1 1/16-12	1/2-14	1 1/4	1.88	5.0		
0507-12-12	1 1/16-12	3/4-14	1 1/4	1.97	4.0		
0507-12-16	1 1/16-12	1-11 1/2	1 1/2	2.12	3.0		
0507-14-12	1 3/16-12	3/4-14	1 3/8	1.97	4.0		
0507-16-12	1 5/16-12	3/4-14	1 1/2	1.90	4.0		
0507-16-16	1 5/16-12	1-11 1/2	1 1/2	2.12	3.0		
0507-20-16	1 5/8-12	1-11 1/2	1 7/8	2.20	3.0		
0507-20-20	1 5/8-12	1 1/4-11 1/2	1 7/8	2.21	2.5		
0507-24-24	1 7/8-12	1 1/2-11 1/2	2 1/8	2.39			
0507-32-32	2 1/2-12	2-11 1/2	2 3/4	2.49			

### 0107

Male Pipe Adapter  
NPTF / NPSM Swivel

SAE 140130

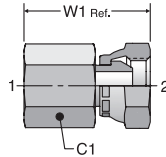


TUBE FITTING PART #	END SIZE		C1 HEX (in.)	W (in.)	STANDARD Dynamic Pressure (x 1,000 PSI)		
	1	2			-S	-SS	-B
	NPTF	NPSM					
0107-2-2	1/8-27	1/8-27	9/16	1.09	6.0	6.0	
0107-2-4	1/8-27	1/4-18	5/8	1.24	6.0	6.0	
0107-4-2	1/4-18	1/8-27	11/16	1.39	6.0	6.0	
0107-4-4	1/4-18	1/4-18	11/16	1.43	6.0	6.0	
0107-4-6	1/4-18	3/8-18	13/16	1.45	6.0	6.0	
0107-4-8	1/4-18	1/2-14	15/16	1.44	5.0		
0107-6-4	3/8-18	1/4-18	11/16	1.49	6.0	6.0	
0107-6-6	3/8-18	3/8-18	7/8	1.51	6.0	6.0	
0107-6-8	3/8-18	1/2-14	15/16	1.73	5.0	5.0	
0107-8-4	1/2-14	1/4-18	1	2.27	6.0		
0107-8-6	1/2-14	3/8-18	7/8	1.70	6.0	6.0	
0107-8-8	1/2-14	1/2-14	1	1.91	5.0	5.0	
0107-8-12	1/2-14	3/4-14	1 1/4	2.04	4.0	4.0	
0107-12-8	3/4-14	1/2-14	1 1/8	1.91	5.0		
0107-12-12	3/4-14	3/4-14	1 1/4	2.04	4.0	4.0	
0107-12-16	3/4-14	1-11 1/2	1 1/2	2.17	3.0	3.0	
0107-16-12	1-11 1/2	3/4-14	1 3/8	2.29	4.0	4.0	
0107-16-16	1-11 1/2	1-11 1/2	1 1/2	2.37	3.0	3.0	
0107-16-20	1-11 1/2	1 1/4-11 1/2	1 3/4	2.38	2.5		
0107-20-16	1 1/4-11 1/2	1-11 1/2	1 7/8	2.46	3.0		
0107-20-20	1 1/4-11 1/2	1 1/4-11 1/2	1 7/8	2.47	2.5	2.5	
0107-20-24	1 1/4-11 1/2	1 1/2-11 1/2	2 1/8	2.58	2.0		
0107-24-20	1 1/2-11 1/2	1 1/4-11 1/2	2 1/8	2.51	2.5	2.5	
0107-24-24	1 1/2-11 1/2	1 1/2-11 1/2	2 1/8	2.61	2.0	2.0	
0107-32-32	2-11 1/2	2-11 1/2	2 5/8	2.80	1.5	1.5	

### 0207

Female Pipe Adapter  
NPTF / NPSM Swivel

SAE 140131

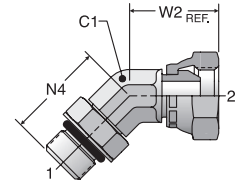


TUBE FITTING PART #	END SIZE		C1 HEX (in.)	W1 (in.)	STANDARD Dynamic Pressure (x 1,000 PSI)		
	1	2			-S	-SS	-B
	NPTF	NPSM					
0207-2-2	1/8-27	1/8-27	9/16	1.02	6.0	6.0	
0207-2-4	1/8-27	1/4-18	11/16	1.33	6.0		
0207-4-2	1/4-18	1/8-27	9/16	1.32	6.0		
0207-4-4	1/4-18	1/4-18	11/16	1.43	6.0	6.0	
0207-6-4	3/8-18	1/4-18	7/8	1.49	6.0	6.0	
0207-6-6	3/8-18	3/8-18	7/8	1.51	6.0	6.0	
0207-6-8	3/8-18	1/2-14	1	1.64	5.0		
0207-8-4	1/2-14	1/4-18	1	1.70	5.0		
0207-8-6	1/2-14	3/8-18	1	1.73	5.0	5.0	
0207-8-8	1/2-14	1/2-14	1	1.79	5.0	5.0	
0207-12-8	3/4-14	1/2-14	1 1/4	1.85	4.0		
0207-12-12	3/4-14	3/4-14	1 1/4	1.97	4.0	4.0	
0207-16-12	1-11 1/2	3/4-14	1 1/2	2.28	3.0		
0207-16-16	1-11 1/2	1-11 1/2	1 1/2	2.37	3.0	3.0	
0207-20-20	1 1/4-11 1/2	1 1/4-11 1/2	1 7/8	2.38	2.5		
0207-24-24	1 1/2-11 1/2	1 1/2-11 1/2	2 1/8	2.42	2.0		
0207-32-32	2-11 1/2	2-11 1/2	2 5/8	2.55	1.5	1.5	

### 3507

45° Straight Thread Elbow  
SAE-ORB / NPSM Swivel

SAE 140357



TUBE FITTING PART #	END SIZE		C1 HEX (in.)	N4 (in.)	W2 (in.)	STANDARD Dynamic Pressure (x 1,000 PSI)		
	1	2				-S	-SS	-B
	UN/UNF-2A	NPSM						
3507-4-4	7/16-20	1/4-18	7/16	1.05	0.79	6.0		
3507-6-4	9/16-18	1/4-18	9/16	1.11	0.94	6.0		
3507-6-6	9/16-18	3/8-18	9/16	1.14	1.03	6.0		
3507-6-8	9/16-18	1/2-14	3/4	1.08	1.16	5.0		
3507-8-6	3/4-16	3/8-18	3/4	1.3	1.02	6.0		
3507-8-8	3/4-16	1/2-14	3/4	1.30	1.18	5.0		
3507-8-12	3/4-16	3/4-14	3/4	1.41	1.37	3.0		
3507-10-6	7/8-14	3/8-18	1 1/16	1.35	0.98	5.0		
3507-10-8	7/8-14	1/2-14	7/8	1.52	1.17	5.0		
3507-10-12	7/8-14	3/4-14	1 1/16	1.36	1.40	3.0		
3507-12-8	1 1/16-12	1/2-14	1 1/16	1.54	1.12	5.0		
3507-12-12	1 1/16-12	3/4-14	1 1/16	1.73	1.37	3.0		
3507-16-16	1 5/16-12	1-11 1/2	1 5/16	1.86	1.52	2.5		

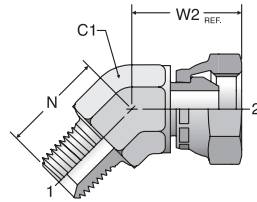
Dimensions and pressures for reference only, subject to change.



### 3107

45° Male Pipe Elbow  
NPTF / NPSM Swivel

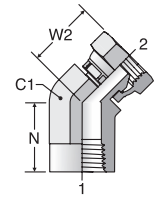
SAE 140330



TUBE FITTING PART #	END SIZE		C1 HEX (in.)	N (in.)	W2 (in.)	STANDARD Dynamic Pressure (x 1,000 PSI)		
	1 NPTF	2 NPSM				-S	-SS	-B
3107-2-2	1/8-27	1/8-27	7/16	0.52	0.77	6.0		
3107-4-4	1/4-18	1/4-18	9/16	0.86	0.91	6.0	6.0	
3107-6-6	3/8-18	3/8-18	3/4	0.95	1.10	6.0	6.0	
3107-6-8	3/8-18	1/2-14	1 1/16	1.09	1.16			
3107-8-4	1/2-14	1/4-18	1 1/16	1.34	0.96			
3107-8-6	1/2-14	3/8-18	7/8	1.17	1.10	6.0		
3107-8-8	1/2-14	1-2/14	7/8	1.17	1.17	5.0	5.0	
3107-8-12	1/2-14	3/4-14	1 1/16	1.50	1.24	3.0		
3107-12-8	3/4-14	1/2-14	1 1/16	1.20	1.23	4.0		
3107-12-12	3/4-14	3/4-14	1 1/16	1.20	1.37	3.0	3.0	
3107-12-16	3/4-14	1-11 1/2	1 5/16	1.50	1.32			
3107-16-12	1-11 1/2	3/4-14	1 5/16	1.48	1.47	3.0		
3107-16-16	1-11 1/2	1-11 1/2	1 5/16	1.48	1.52	2.5	2.5	
3107-20-16	1 1/4-11 1/2	1-11 1/2	1 5/8	1.75	1.55	2.5		
3107-20-20	1 1/4-11 1/2	1 1/4-11 1/2	1 5/8	1.67	1.61	2.0		
3107-24-24	1 1/2-11 1/2	1 1/2-11 1/2	1 7/8	1.77	1.77	2.0	2.0	
3107-32-32	2-11 1/2	2-11 1/2	2 1/2	2.11	1.89	1.1		

### 3207

45° Female Pipe Elbow  
NPTF / NPSM Swivel

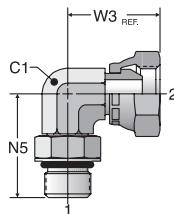


TUBE FITTING PART #	END SIZE		C1 HEX (in.)	N (in.)	W2 (in.)	STANDARD Dynamic Pressure (x 1,000 PSI)		
	1 NPTF	2 NPSM				-S	-SS	-B
3207-4-4	1/4-18	1/4-18	3/4	0.91	0.94	5.0		
3207-6-6	3/8-18	3/8-18	7/8	1.00	0.97	4.5		
3207-8-8	1/2-14	1/2-14	1 1/16	1.01	1.12	3.0		
3207-12-12	3/4-14	3/4-14	1 5/16	1.25	1.31	3.0		
3207-16-16	1-11 1/2	1-11 1/2	1 5/8	1.44	1.55	1.8		

### 2507

Straight Thread Elbow  
SAE-ORB / NPSM Swivel

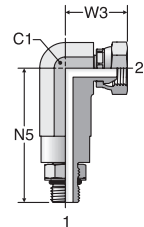
SAE 140257



TUBE FITTING PART #	END SIZE		C1 HEX (in.)	N5 (in.)	W3 (in.)	STANDARD Dynamic Pressure (x 1,000 PSI)		
	1 UN/UNF-2A	2 NPSM				-S	-SS	-B
2507-4-4	7/16-20	1/4-18	7/16	1.03	0.97	6.0		
2507-4-6	7/16-20	3/8-18	9/16	1.28	1.23	6.0		
2507-6-4	9/16-18	1/4-18	9/16	1.25	1.06	6.0		
2507-6-6	9/16-18	3/8-18	9/16	1.25	1.10	6.0		
2507-6-8	9/16-18	1/2-14	3/4	1.41	1.29	5.0		
2507-8-4	3/4-16	1/4-18	3/4	1.30	1.09	6.0		
2507-8-6	3/4-16	3/8-18	3/4	1.45	1.19	6.0		
2507-8-8	3/4-16	1/2-14	3/4	1.45	1.33	5.0		
2507-8-12	3/4-16	3/4-14	3/4	1.62	1.65	3.0		
2507-10-6	7/8-14	3/8-18	7/8	1.70	1.26	5.0		
2507-10-8	7/8-14	1/2-14	7/8	1.70	1.40	5.0		
2507-10-12	7/8-14	3/4-14	7/8	1.78	1.62	3.0		
2507-12-8	1 1/16-12	1/2-14	1 1/16	1.94	1.50	5.0		
2507-12-12	1 1/16-12	3/4-14	1 1/16	1.94	1.65	3.0		
2507-12-16	1 1/16-12	1-11 1/2	1 3/16	2.08	1.91	2.5		
2507-16-12	1 5/16-12	3/4-14	1 3/16	2.08	1.89	3.0		
2507-16-16	1 5/16-12	1-11 1/2	1 5/16	2.05	1.91	2.5		
2507-20-20	1 5/8-12	1 1/4-11 1/2	1 5/8	2.25	2.16	2.0		
2507-24-24	1 7/8-12	1 1/2-11 1/2	1 7/8	2.39	2.31			

### 5507

Long Straight Thread Elbow  
SAE-ORB / NPSM Swivel



TUBE FITTING PART #	END SIZE		C1 HEX (in.)	N5 (in.)	W3 (in.)	STANDARD Dynamic Pressure (x 1,000 PSI)		
	1 UN/UNF-2A	2 NPSM				-S	-SS	-B
5507-4-4	7/16-20	1/4-18	3/4	2.19	1.13	6.0		
5507-6-6	9/16-18	3/8-18	7/8	2.59	1.20	6.0		
5507-8-6	3/4-16	3/8-18	7/8	2.47	1.20	6.0		

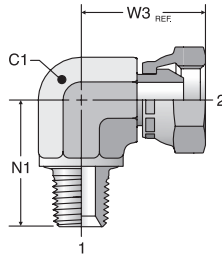
Dimensions and pressures for reference only, subject to change.



## 2107

Male Pipe Elbow  
NPTF / NPSM Swivel

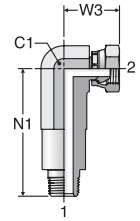
SAE 140230



TUBE FITTING PART #	END SIZE		C1 HEX (in.)	N1 (in.)	W3 (in.)	STANDARD Dynamic Pressure (x 1,000 PSI)		
	1 NPTF	2 NPSM				-S	-SS	-B
	2107-2-2	1/8-27						
2107-2-4	1/8-27	1/4-18	7/16	1.00	0.97	6.0		
2107-4-2	1/4-18	1/8-27	9/16	0.90	1.05		6.0	
2107-4-4	1/4-18	1/4-18	9/16	1.09	1.06	6.0	6.0	
2107-4-6	1/4-18	3/8-18	3/4	1.09	1.28	6.0	6.0	
2107-6-4	3/8-18	1/4-18	3/4	1.22	1.17	6.0	6.0	
2107-6-6	3/8-18	3/8-18	3/4	1.22	1.28	6.0	6.0	
2107-6-8	3/8-18	1/2-14	3/4	1.22	1.33	5.0	5.0	
2107-8-4	1/2-14	1/4-18	7/8	1.69	1.18	6.0		
2107-8-6	1/2-14	3/8-18	7/8	1.47	1.35	6.0	6.0	
2107-8-8	1/2-14	1/2-14	7/8	1.47	1.40	5.0	5.0	
2107-8-12	1/2-14	3/4-14	1 1/16	1.47	1.65	3.0	3.0	
2107-12-6	3/4-14	3/8-18	1 1/16	1.59	1.48	4.0		
2107-12-8	3/4-14	1/2-14	1 1/16	1.59	1.53	4.0	4.0	
2107-12-12	3/4-14	3/4-14	1 1/16	1.59	1.65	3.0	3.0	
2107-12-16	3/4-14	1-11 1/2	1 3/16	2.19	1.72	2.5		
2107-16-12	1-11 1/2	3/4-14	1 5/16	1.97	1.82	3.0	3.0	
2107-16-16	1-11 1/2	1-11 1/2	1 5/16	1.97	1.91	2.5	2.5	
2107-16-20	1-11 1/2	1 1/4-11 1/2	1 7/16	2.41	1.87	2.0		
2107-20-16	1 1/4-11 1/2	1-11 1/2	1 5/8	2.62	1.98	2.5		
2107-20-20	1 1/4-11 1/2	1 1/4-11 1/2	1 5/8	2.38	2.11	2.0		
2107-24-24	1 1/2-11 1/2	1 1/2-11 1/2	1 7/8	2.64	2.31	2.0		
2107-32-32	2-11 1/2	2-11 1/2	2 1/2	3.00	2.70	1.1	1.1	

## 5607

Long Male Pipe Elbow  
NPTF / NPSM Swivel

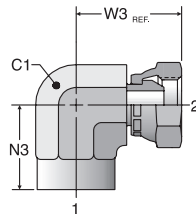


TUBE FITTING PART #	END SIZE		C1 HEX (in.)	N1 (in.)	W3 (in.)	STANDARD Dynamic Pressure (x 1,000 PSI)		
	1 NPTF	2 NPSM				-S	-SS	-B
	5607-2-2	1/8-27						
5607-4-4	1/4-18	1/4-18	3/4	2.25	1.16	6.0		
5607-6-6	3/8-18	3/8-18	7/8	2.76	1.20	6.0		
5607-8-8	1/2-14	1/2-14	1 1/16	3.19	1.48	5.0		
5607-12-12	3/4-14	3/4-14	1 5/16	3.66	1.69	3.0		
5607-16-16	1-11 1/2	1-11 1/2	1 7/8	4.31	2.15	2.5		

## 2207

Female Pipe Elbow  
NPTF / NPSM Swivel

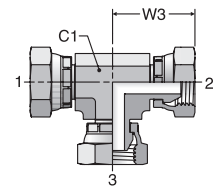
SAE 140231



TUBE FITTING PART #	END SIZE		C1 HEX (in.)	N3 (in.)	W3 (in.)	STANDARD Dynamic Pressure (x 1,000 PSI)		
	1 NPTF	2 NPSM				-S	-SS	-B
	2207-2-2	1/8-27						
2207-4-4	1/4-18	1/4-18	3/4	0.88	1.17	5.0	5.0	
2207-4-6	1/4-18	3/8-18	7/8	1.01	1.26		5.0	
2207-6-6	3/8-18	3/8-18	7/8	1.02	1.26	4.5	4.5	
2207-8-6	1/2-14	3/8-18	1 1/16	1.37	1.34	3.0		
2207-8-8	1/2-14	1/2-14	1 1/16	1.23	1.53	3.0	3.0	
2207-12-12	3/4-14	3/4-14	1 5/16	1.36	1.82	3.0	3.0	
2207-16-16	1-11 1/2	1-11 1/2	1 5/8	1.62	2.10	1.8	1.8	
2207-20-20	1 1/4-11 1/2	1 1/4-11 1/2	1 7/8	1.70	2.21	1.5		
2207-24-24	1 1/2-11 1/2	1 1/2-11 1/2	2 1/2	2.08	2.83	1.5		
2207-32-32	2-11 1/2	2-11 1/2	2 13/16	2.39	3.00	1.1		

## 077T

NPSM Union Tee  
NPSM Swivel (all three ends)



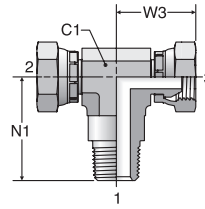
TUBE FITTING PART #	END SIZE			C1 HEX (in.)	W3 (in.)	STANDARD Dynamic Pressure (x 1,000 PSI)		
	1 NPSM	2 NPSM	3 NPSM			-S	-SS	-B
	077T-2	1/8-27	1/8-27					
077T-4	1/4-18	1/4-18	1/4-18	9/16	1.06	6.0		
077T-6	3/8-18	3/8-18	3/8-18	3/4	1.15	6.0		
077T-8	1/2-14	1/2-14	1/2-14	3/4	1.29	5.0		
077T-12	3/4-14	3/4-14	3/4-14	1 1/16	1.65	3.0		

Dimensions and pressures for reference only, subject to change.



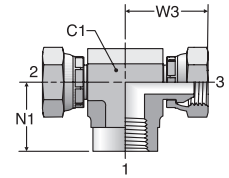
### 217T

Male Pipe Branch Tee  
NPTF / NPSM Swivel /  
NPSM Swivel



### 227T

Female Pipe Branch Tee  
NPTF / NPSM Swivel /  
NPSM Swivel



TUBE FITTING PART #	END SIZE			C1 HEX (in.)	N1 (in.)	W3 (in.)	STANDARD Dynamic Pressure (x 1,000 PSI)		
	1	2	3				-S	-SS	-B
	NPTF	NPSM	NPSM						
217T-2-2	1/8-27	1/8-27	1/8-27	9/16	0.97	0.92	6.0		
217T-4-4	1/4-18	1/4-18	1/4-18	9/16	1.19	1.03	6.0		
217T-6-6	3/8-18	3/8-18	3/8-18	3/4	1.50	1.15	6.0		
217T-8-6	1/2-14	3/8-18	1/2-14	3/4	1.69	1.21	6.0		
217T-8-8	1/2-14	1/2-14	1/2-14	3/4	1.81	1.35	5.0		
217T-12-12	3/4-14	3/4-14	3/4-14	1 1/16	2.00	1.60	3.0		
217T-16-16	1-11 1/2	1-11 1/2	1-11 1/2	1 1/16	2.37	1.86	2.5		

TUBE FITTING PART #	END SIZE			C1 HEX (in.)	N1 (in.)	W3 (in.)	STANDARD Dynamic Pressure (x 1,000 PSI)		
	1	2	3				-S	-SS	-B
	NPTF	NPSM	NPSM						
227T-4-4	1/4-18	1/4-18	1/4-18	3/4	0.94	1.13	5.0		
227T-6-6	3/8-18	3/8-18	3/8-18	7/8	1.00	1.20	4.5		
227T-8-8	1/2-14	1/2-14	1/2-14	1 1/16	1.17	1.46	3.0		
227T-12-12	3/4-14	3/4-14	3/4-14	1 3/16	1.44	1.60	3.0		

Dimensions and pressures for reference only, subject to change.

