


SACC-CI-M12FS-8CON-L180-THR

Order No.: 1557808

<http://eshop.phoenixcontact.de/phoenix/treeViewClick.do?UID=1557808>Sensor/actuator flush-type socket, 8-pos., with straight THR solder
connection

Commercial data	
GTIN (EAN)	 4 046356 285308
Note	Made-to-order
sales group	D125
Pack	60 pcs.
Customs tariff	85366990
Catalog page information	Page 54 (PC-2011)

Product notesWEEE/RoHS-compliant since:
03/08/2007

<http://www.download.phoenixcontact.com>
Please note that the data given here has been taken from the online catalog. For comprehensive information and data, please refer to the user documentation. The General Terms and Conditions of Use apply to Internet downloads.

Technical data

General data	
Rated current at 40°C	4 A
Rated voltage	30 V
Number of positions	4
Volume resistance	≤ 3 mΩ
Insulation resistance	≥ 100 MΩ

Ambient temperature (operation)	-25 °C ... 85 °C
General characteristics	
Standards/regulations	M8 connector IEC 61076-2-104
Surge voltage category	II
Pollution degree	3
Degree of protection	IP67
Contact material	CuZn
Contact surface material	Au
Contact carrier material	PA 66
Material, knurls	Nickel-plated brass
Sealing material	NBR
Mounting type	Rear mounting M8 x 0.5 With locking nut
Connection method	Solder pins
Status display	No

Certificates / Approvals



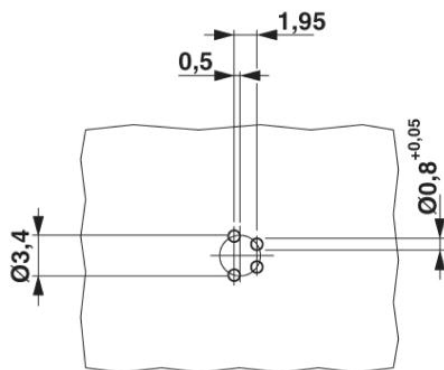
Certification

CUL, GOST, UL

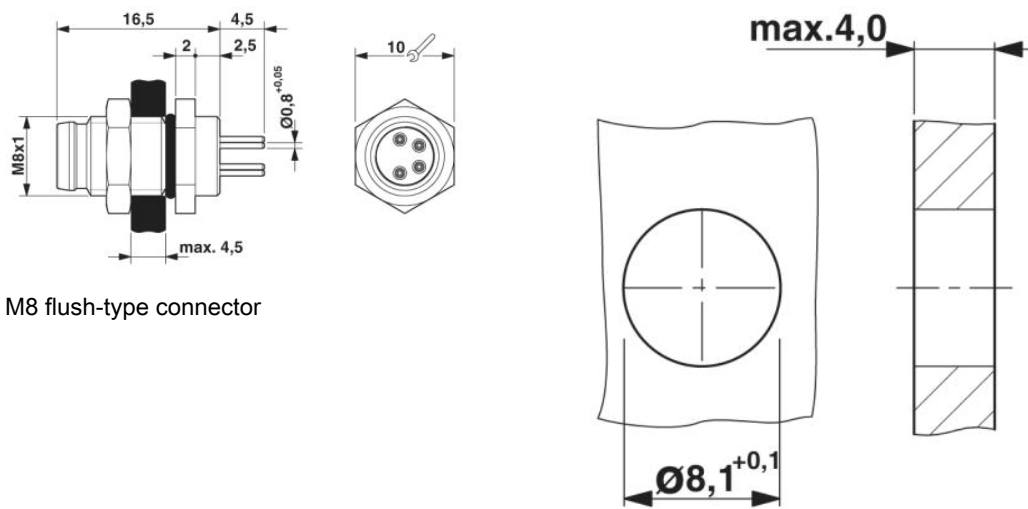
Diagrams/Drawings

Drilling plan/solder pad geometry

Drilling diagram



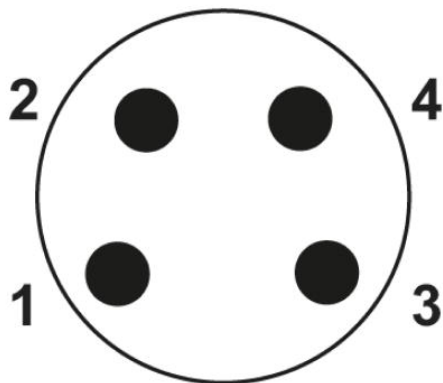
Dimensioned drawing



M8 flush-type connector

Housing cutout for M8 flush-type connector, connector, one-section

Schematic diagram



Pin assignment M8 plug, 4-pos., view male side

Address

PHOENIX CONTACT Deutschland GmbH
Flachmarktstr. 8
32825 Blomberg, Germany
Phone +49 5235 3 12000
Fax +49 5235 3 41200
<http://www.phoenixcontact.de>



© 2011 Phoenix Contact
Technical modifications reserved;