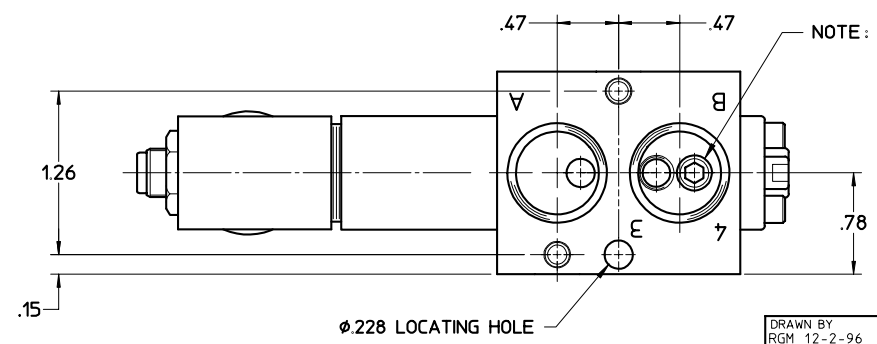
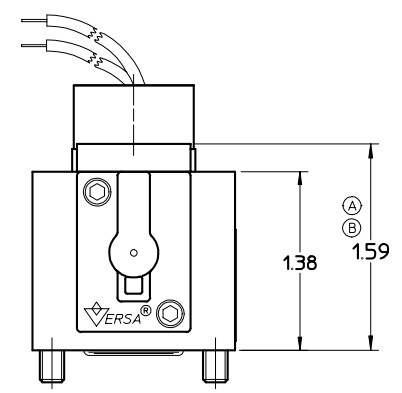
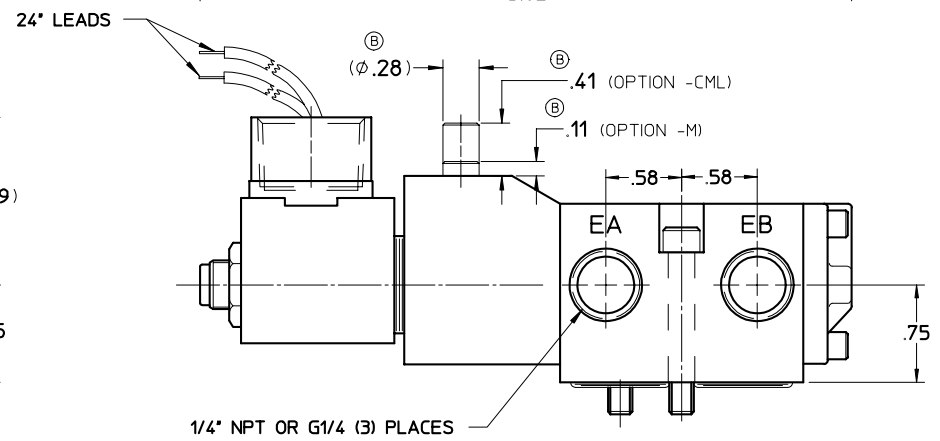
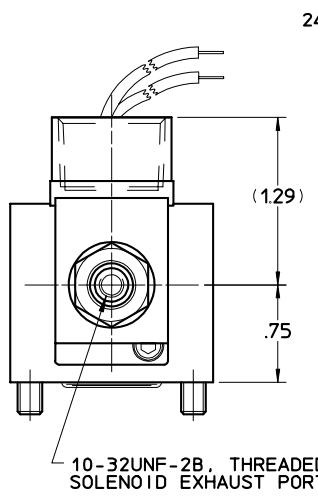
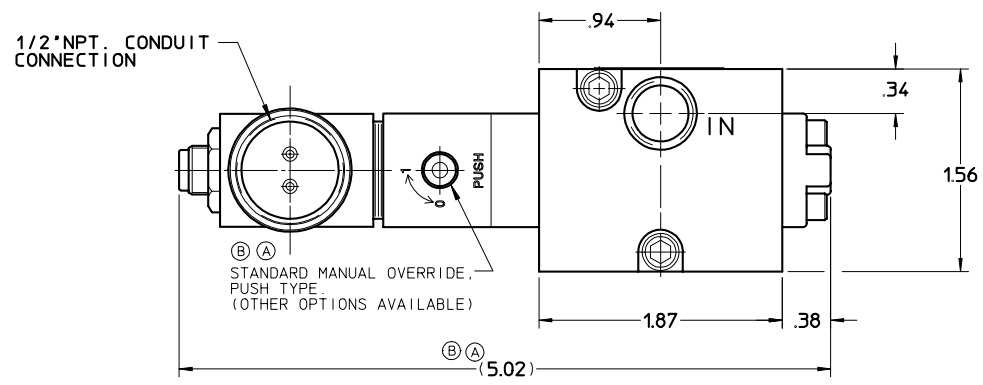


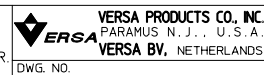
DWG. NO.
GC5-0218



NOTE: THIS VALVE IS FIELD CONVERTIBLE.
FOR A 4-WAY VALVE, PLUG IS IN LOCATION '4' (SHOWN).
FOR A 3-WAY VALVE, PLUG IS IN LOCATION '3'.

NOTES: 1) DRAWING SHOWS PRODUCT'S PHYSICAL CHARACTERISTICS ONLY. PERFORMANCE PARAMETERS ARE CONTAINED ON PRODUCT SPECIFICATION SHEETS.
2) S.A.E. PORT MARKINGS SHOWN. I.S.O. FORMAT USED ON METRIC PORTED VALVES.

DRAWN BY RGM 12-2-96		CHECKED BY JMC 2-18-97		ENG APPD MJR 02-20-97		ORIG EWR 9918		TITLE VALVE ASS'Y - SINGLE SOLENOID OPERATED, SPRING RETURN, SERIES 'CS' 'NAMUR'																																														
MATERIAL		SCALE 1:1		NEXT ASSY		DWG SIZE B		UNLESS OTHERWISE SPECIFIED 2 PLACE DECIMAL ± .010 ANGULAR DIMENSIONS ± 1/2° 3 PLACE DECIMAL ± .003 BREAK CORNERS & EDGES .010 DIA'S ON SAME CENTERLINE CONCENTRIC WITHIN .006 T.I.R. MACHINED SURFACES, FINISHED TO 64 R.M.S. MAX.																																														
HARDNESS		HEAT TREAT		FINAL FINISH		DO NOT SCALE DRAWING		THIS DRAWING IS CAD GENERATED AND THE PROPERTY OF VERSA PRODUCTS CO. INC. USE AND/OR REPRODUCTION OF ANY PORTION MUST BE WITH THE APPROVAL OF VERSA																																														
<table border="1"> <tr> <th>REVISION LEVEL</th> <th>DESCRIPTION</th> <th>EWR NO/APPD BY</th> </tr> <tr> <td>B</td> <td>AP 05-14-02 REDESIGNED SOLENOID CAP AND ALL MANUAL OVERRIDE OPTIONS. THE STANDARD WAS PUSH TURN TO LOCK.</td> <td>10526B BN 06-07-02</td> </tr> <tr> <td>A</td> <td>AP 04-02-98 REDESIGNED SOLENOID CAP & MANUAL OVERRIDE</td> <td>9119 BN 02-12-99</td> </tr> </table>		REVISION LEVEL	DESCRIPTION	EWR NO/APPD BY	B	AP 05-14-02 REDESIGNED SOLENOID CAP AND ALL MANUAL OVERRIDE OPTIONS. THE STANDARD WAS PUSH TURN TO LOCK.	10526B BN 06-07-02	A	AP 04-02-98 REDESIGNED SOLENOID CAP & MANUAL OVERRIDE	9119 BN 02-12-99	<table border="1"> <tr> <th>REVISION LEVEL</th> <th>DESCRIPTION</th> <th>EWR NO/APPD BY</th> </tr> <tr> <td>B</td> <td>AP 05-14-02 REDESIGNED SOLENOID CAP AND ALL MANUAL OVERRIDE OPTIONS. THE STANDARD WAS PUSH TURN TO LOCK.</td> <td>10526B BN 06-07-02</td> </tr> <tr> <td>A</td> <td>AP 04-02-98 REDESIGNED SOLENOID CAP & MANUAL OVERRIDE</td> <td>9119 BN 02-12-99</td> </tr> </table>		REVISION LEVEL	DESCRIPTION	EWR NO/APPD BY	B	AP 05-14-02 REDESIGNED SOLENOID CAP AND ALL MANUAL OVERRIDE OPTIONS. THE STANDARD WAS PUSH TURN TO LOCK.	10526B BN 06-07-02	A	AP 04-02-98 REDESIGNED SOLENOID CAP & MANUAL OVERRIDE	9119 BN 02-12-99	<table border="1"> <tr> <th>REVISION LEVEL</th> <th>DESCRIPTION</th> <th>EWR NO/APPD BY</th> </tr> <tr> <td>B</td> <td>AP 05-14-02 REDESIGNED SOLENOID CAP AND ALL MANUAL OVERRIDE OPTIONS. THE STANDARD WAS PUSH TURN TO LOCK.</td> <td>10526B BN 06-07-02</td> </tr> <tr> <td>A</td> <td>AP 04-02-98 REDESIGNED SOLENOID CAP & MANUAL OVERRIDE</td> <td>9119 BN 02-12-99</td> </tr> </table>		REVISION LEVEL	DESCRIPTION	EWR NO/APPD BY	B	AP 05-14-02 REDESIGNED SOLENOID CAP AND ALL MANUAL OVERRIDE OPTIONS. THE STANDARD WAS PUSH TURN TO LOCK.	10526B BN 06-07-02	A	AP 04-02-98 REDESIGNED SOLENOID CAP & MANUAL OVERRIDE	9119 BN 02-12-99	<table border="1"> <tr> <th>REVISION LEVEL</th> <th>DESCRIPTION</th> <th>EWR NO/APPD BY</th> </tr> <tr> <td>B</td> <td>AP 05-14-02 REDESIGNED SOLENOID CAP AND ALL MANUAL OVERRIDE OPTIONS. THE STANDARD WAS PUSH TURN TO LOCK.</td> <td>10526B BN 06-07-02</td> </tr> <tr> <td>A</td> <td>AP 04-02-98 REDESIGNED SOLENOID CAP & MANUAL OVERRIDE</td> <td>9119 BN 02-12-99</td> </tr> </table>		REVISION LEVEL	DESCRIPTION	EWR NO/APPD BY	B	AP 05-14-02 REDESIGNED SOLENOID CAP AND ALL MANUAL OVERRIDE OPTIONS. THE STANDARD WAS PUSH TURN TO LOCK.	10526B BN 06-07-02	A	AP 04-02-98 REDESIGNED SOLENOID CAP & MANUAL OVERRIDE	9119 BN 02-12-99	<table border="1"> <tr> <th>REVISION LEVEL</th> <th>DESCRIPTION</th> <th>EWR NO/APPD BY</th> </tr> <tr> <td>B</td> <td>AP 05-14-02 REDESIGNED SOLENOID CAP AND ALL MANUAL OVERRIDE OPTIONS. THE STANDARD WAS PUSH TURN TO LOCK.</td> <td>10526B BN 06-07-02</td> </tr> <tr> <td>A</td> <td>AP 04-02-98 REDESIGNED SOLENOID CAP & MANUAL OVERRIDE</td> <td>9119 BN 02-12-99</td> </tr> </table>		REVISION LEVEL	DESCRIPTION	EWR NO/APPD BY	B	AP 05-14-02 REDESIGNED SOLENOID CAP AND ALL MANUAL OVERRIDE OPTIONS. THE STANDARD WAS PUSH TURN TO LOCK.	10526B BN 06-07-02	A	AP 04-02-98 REDESIGNED SOLENOID CAP & MANUAL OVERRIDE	9119 BN 02-12-99
REVISION LEVEL	DESCRIPTION	EWR NO/APPD BY																																																				
B	AP 05-14-02 REDESIGNED SOLENOID CAP AND ALL MANUAL OVERRIDE OPTIONS. THE STANDARD WAS PUSH TURN TO LOCK.	10526B BN 06-07-02																																																				
A	AP 04-02-98 REDESIGNED SOLENOID CAP & MANUAL OVERRIDE	9119 BN 02-12-99																																																				
REVISION LEVEL	DESCRIPTION	EWR NO/APPD BY																																																				
B	AP 05-14-02 REDESIGNED SOLENOID CAP AND ALL MANUAL OVERRIDE OPTIONS. THE STANDARD WAS PUSH TURN TO LOCK.	10526B BN 06-07-02																																																				
A	AP 04-02-98 REDESIGNED SOLENOID CAP & MANUAL OVERRIDE	9119 BN 02-12-99																																																				
REVISION LEVEL	DESCRIPTION	EWR NO/APPD BY																																																				
B	AP 05-14-02 REDESIGNED SOLENOID CAP AND ALL MANUAL OVERRIDE OPTIONS. THE STANDARD WAS PUSH TURN TO LOCK.	10526B BN 06-07-02																																																				
A	AP 04-02-98 REDESIGNED SOLENOID CAP & MANUAL OVERRIDE	9119 BN 02-12-99																																																				
REVISION LEVEL	DESCRIPTION	EWR NO/APPD BY																																																				
B	AP 05-14-02 REDESIGNED SOLENOID CAP AND ALL MANUAL OVERRIDE OPTIONS. THE STANDARD WAS PUSH TURN TO LOCK.	10526B BN 06-07-02																																																				
A	AP 04-02-98 REDESIGNED SOLENOID CAP & MANUAL OVERRIDE	9119 BN 02-12-99																																																				
REVISION LEVEL	DESCRIPTION	EWR NO/APPD BY																																																				
B	AP 05-14-02 REDESIGNED SOLENOID CAP AND ALL MANUAL OVERRIDE OPTIONS. THE STANDARD WAS PUSH TURN TO LOCK.	10526B BN 06-07-02																																																				
A	AP 04-02-98 REDESIGNED SOLENOID CAP & MANUAL OVERRIDE	9119 BN 02-12-99																																																				
LTR		REV/DCKD BY		DESCRIPTION		EWR NO/APPD BY		FINAL FINISH																																														



DWG. NO.
GC5-0218