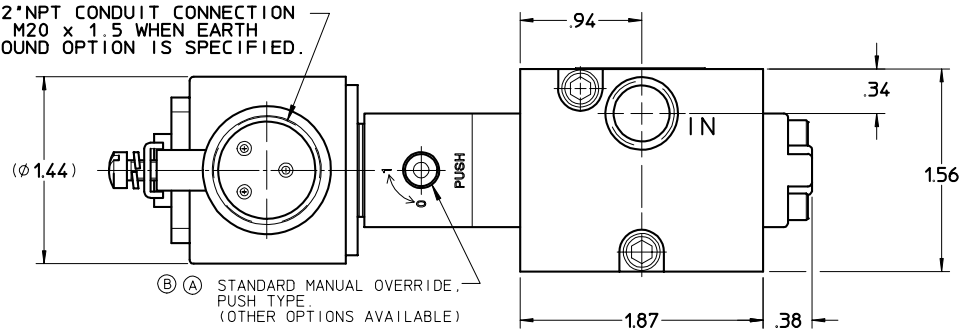
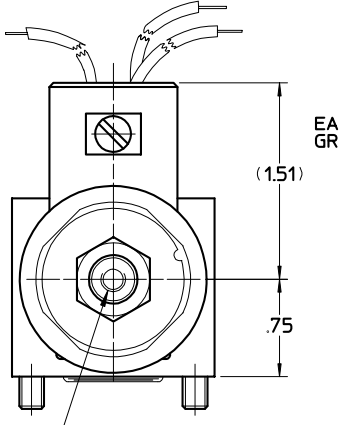


DWG. NO.
GC5-0211

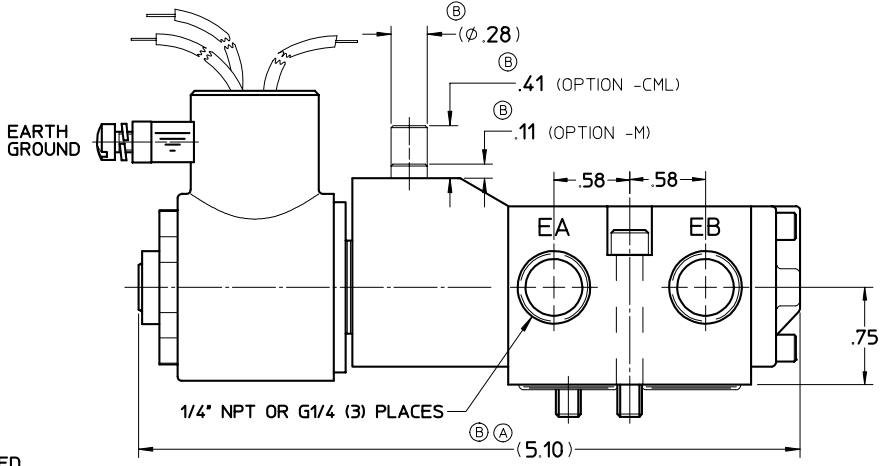
1/2" NPT CONDUIT CONNECTION
OR M20 x 1.5 WHEN EARTH
GROUND OPTION IS SPECIFIED.



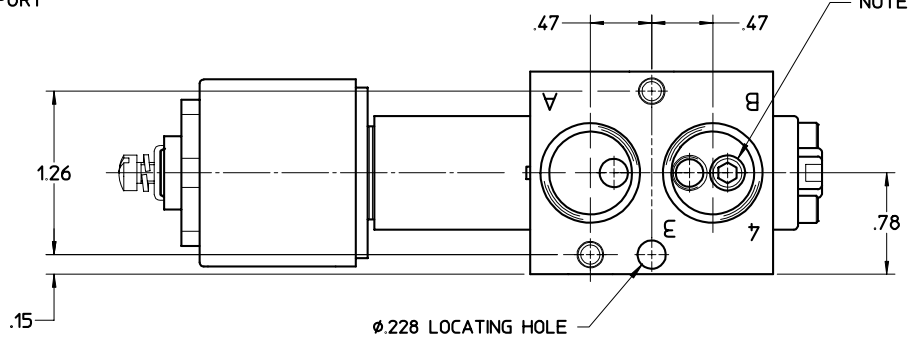
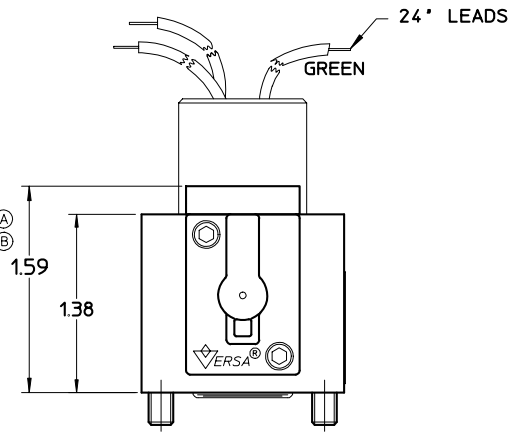
(B) (A) STANDARD MANUAL OVERRIDE,
PUSH TYPE
(OTHER OPTIONS AVAILABLE)



10-32UNF-2B, THREADED
SOLENOID EXHAUST PORT



1/4" NPT OR G1/4 (3) PLACES



∅228 LOCATING HOLE

NOTE: THIS VALVE IS FIELD CONVERTIBLE.
FOR A 4-WAY VALVE, PLUG IS IN LOCATION '4' (SHOWN).
FOR A 3-WAY VALVE, PLUG IS IN LOCATION '3'.

- NOTES:
- 1) DRAWING SHOWS PRODUCT'S PHYSICAL CHARACTERISTICS ONLY. PERFORMANCE PARAMETERS ARE CONTAINED ON PRODUCT SPECIFICATION SHEETS.
 - 2) S.A.E. PORT MARKINGS SHOWN. I.S.O. FORMAT USED ON METRIC PORTED VALVES.
 - 3) PRODUCT SHOWN WITH STANDARD 24" WIRE LEADS. ADDITIONAL WIRE LEAD LENGTHS AVAILABLE BY SPECIFYING THE APPROPRIATE SUFFIX DETAIL.
 - 4) PRODUCT SHOWN WITH EARTH GROUND CONNECTION. EARTH GROUND CONNECTION ONLY ADDED BY SPECIFYING APPROPRIATE SUFFIX DETAIL.
 - 5) CONDUIT NUT MUST BE LOOSENED TO REORIENT CONDUIT CONNECTION AND MUST BE RETIGHTENED TO A TORQUE OF 55 IN.-LBS TO CONFORM TO 'UL' REQUIREMENTS.

DRAWN BY RGM 11-25-96	CHECKED BY JMC 2-18-97	ENG APPD MJR 02-20-97	ORIG EWR 9918	TITLE VALVE ASS'Y - SINGLE SOLENOID OPERATED, EXPLOSION PROOF, SERIES 'C5' 'NAMUR'
MATL	SCALE 1:1	NEXT ASSY	DWG SIZE B	
B AP 05-14-02 REDESIGNED SOLENOID CAP AND ALL MANUAL OVERRIDE OPTIONS. THE STANDARD WAS PUSH TURN TO LOCK.		10526B		UNLESS OTHERWISE SPECIFIED 2 PLACE DECIMAL ± .010 ANGULAR DIMENSIONS ± 1/2° 3 PLACE DECIMAL ± .003 BREAK CORNERS & EDGES .010 DIA'S ON SAME CENTERLINE CONCENTRIC WITHIN .006 T.I.R. MACHINED SURFACES, FINISHED TO 64 R.M.S. MAX. DO NOT SCALE DRAWING
RGM 05-14-02		BN 06-07-02		
A AP 04-02-98 REDESIGNED SOLENOID CAP & MANUAL OVERRIDE		9119		VERSAPRODUCTS CO., INC. PARAMUS N.J., U.S.A. VERSABV, NETHERLANDS
BN 02-12-99		BN 02-12-99		
LTR REV/CKD BY		DESCRIPTION		DWG. NO. GC5-0211
		EWR NO/APPD BY		
REVISION LEVEL				
THIS DRAWING IS CAD GENERATED AND THE PROPERTY OF VERSA PRODUCTS CO. INC. USE AND/OR REPRODUCTION OF ANY PORTION MUST BE WITH THE APPROVAL OF VERSA				