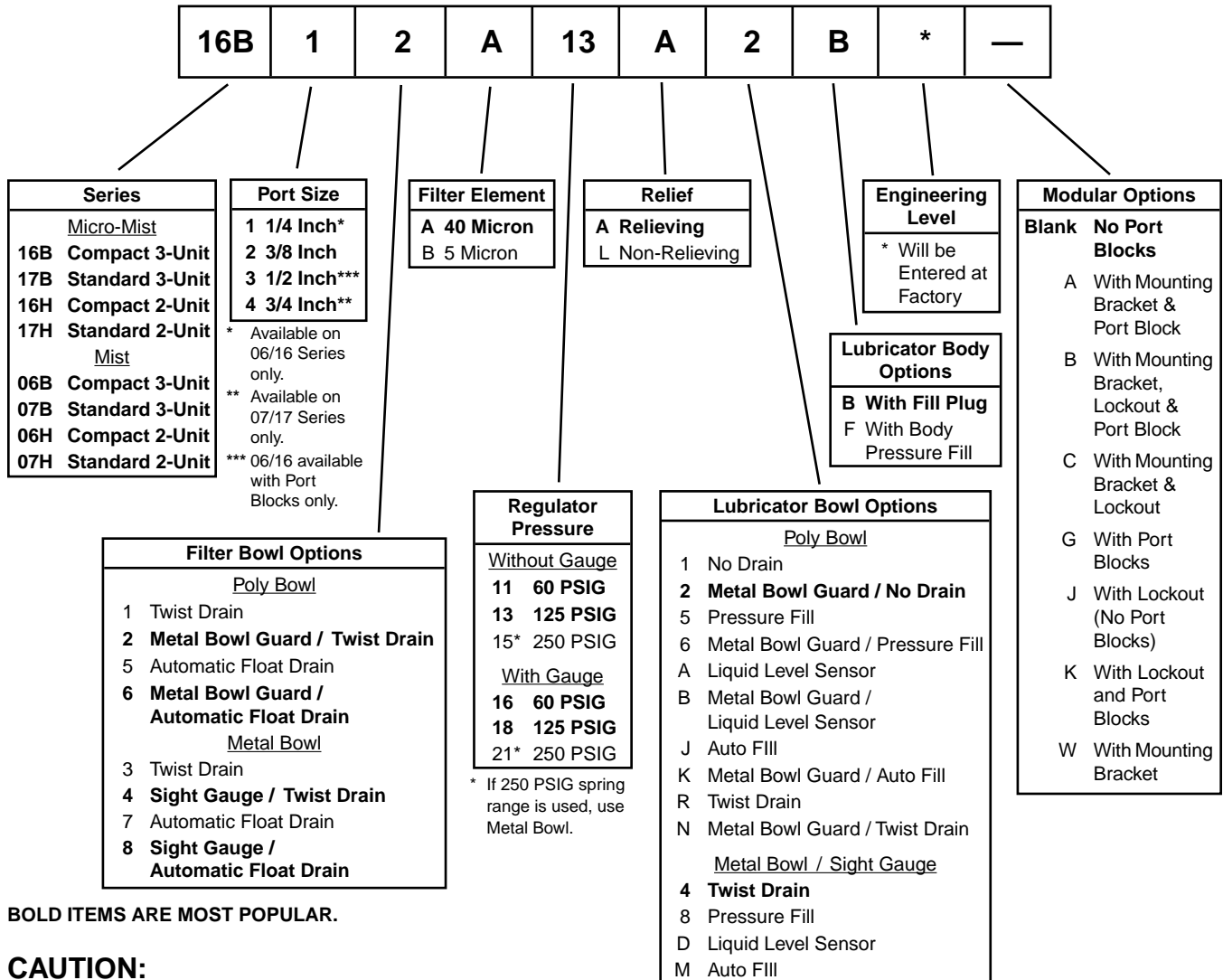




Modular Combinations – 06 Compact & 07 Standard Series

Ordering Information



BOLD ITEMS ARE MOST POPULAR.

CAUTION:

REGULATOR PRESSURE ADJUSTMENT – The working range of knob adjustment is designed to permit outlet pressures within their full range. Pressure adjustment beyond this range is also possible because the knob is not a limiting device. This is a common characteristic of most industrial regulators, and limiting devices may be obtained only by special design.

For best performance, regulated pressure should always be set by increasing the pressure up to the desired setting.

⚠ WARNING

**Product rupture can cause serious injury.
 Do not connect regulator to bottled gas.
 Do not exceed maximum primary pressure rating.**

For polycarbonate bowl and sight dome, see Caution on page A2.

Kits & Accessories (See individual component sections for other kits and accessories.)

Body Connector Kit	PS754P
Lockout Valve	PS756P
Manifold Block	PS757P
Pressure Switches –	
DIN Connectors	P01909
Flying Leads	P01908
Wall Mounting Kit	PS755P

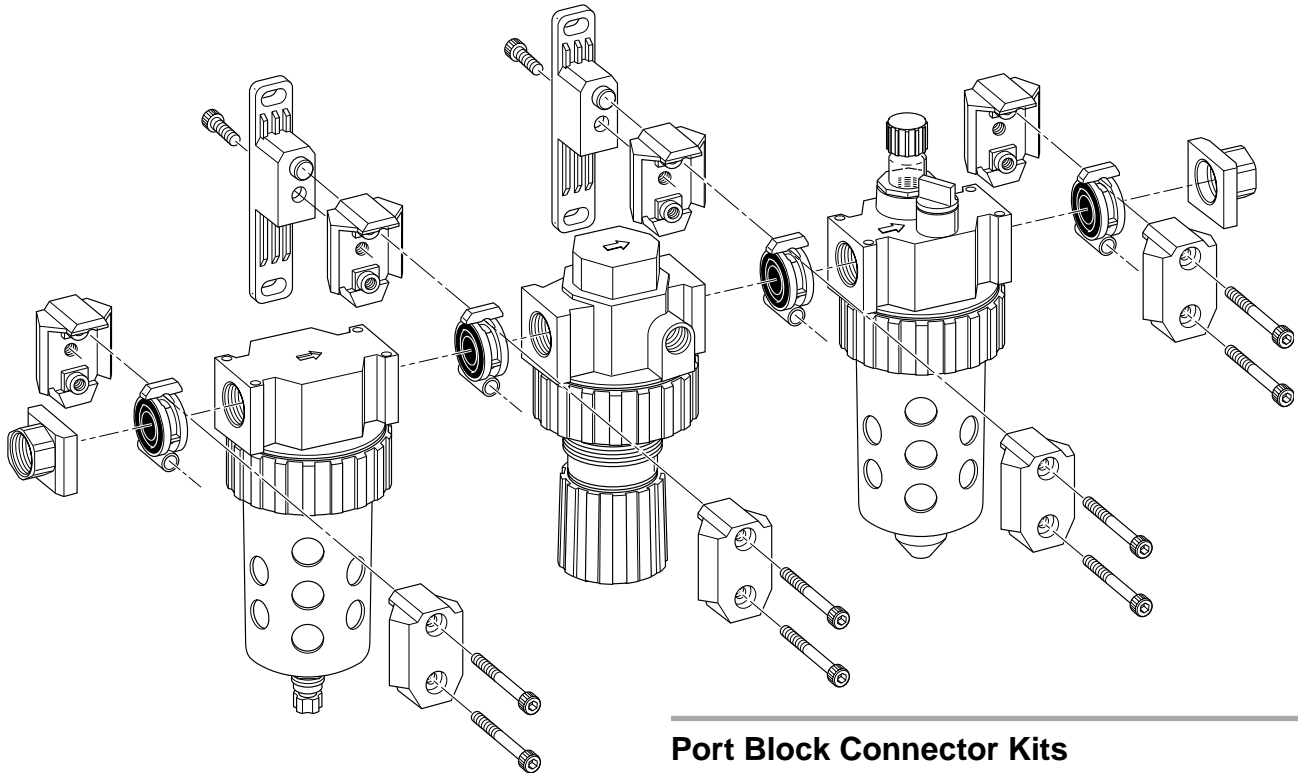
Port Block Kits:	Size	NPT	BSPB	BSPT
06 Series	1/4"	PS750P	PS765P [†]	PS761P
	3/8"	PS751P	PS766P [†]	PS762P
	1/2"	PS752P*	PS767P* [†]	PS799P*
* Use 1/4 or 3/8 ported bodies. [†] 1/4, 3/8 & 1/2 inch meet ISO 1179-1 Standard.				
07 Series	1/4"	PS850P	PS865P	PS861P
	3/8"	PS851P	PS866P	PS862P
	1/2"	PS852P	PS867P [†]	PS863P
	3/4"	PS853P	PS860P	PS864P
† 1/2 inch meets ISO 1179-1 Standard.				





A

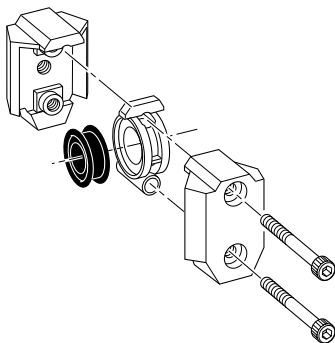
Modular Accessories – 06 Compact & 07 Standard Series



Body Connectors

06 SeriesPS754P

07 SeriesPS854P



Body Connectors allow you to easily assemble and disassemble Modular Combinations.

Each Kit includes one set.

Body Connectors are required whenever you assemble two or more pieces together.

Port Block Connector Kits

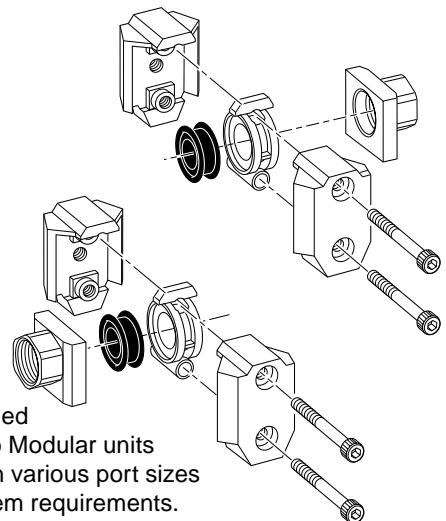
Series	Size	NPT	BSPP	BSPT
06 Series	1/4"PS750PPS765P [†]PS761P
	3/8"PS751PPS766P [†]PS762P
	1/2"PS752P*PS767P* [†]PS799P*

* Use 1/4 or 3/8 ported bodies.

[†] 1/4, 3/8 & 1/2 inch meet ISO 1179-1 Standard.

07 Series	1/4"PS850PPS865PPS861P
	3/8"PS851PPS866PPS862P
	1/2"PS852PPS867P [†]PS863P
	3/4"PS853PPS860PPS864P

[†] 1/2 inch meets ISO 1179-1 Standard.



Port Block Connectors allow you to make threaded port connections to Modular units and are available in various port sizes to match your system requirements.

Each Kit includes all the necessary pieces to make two port connections.