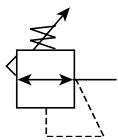
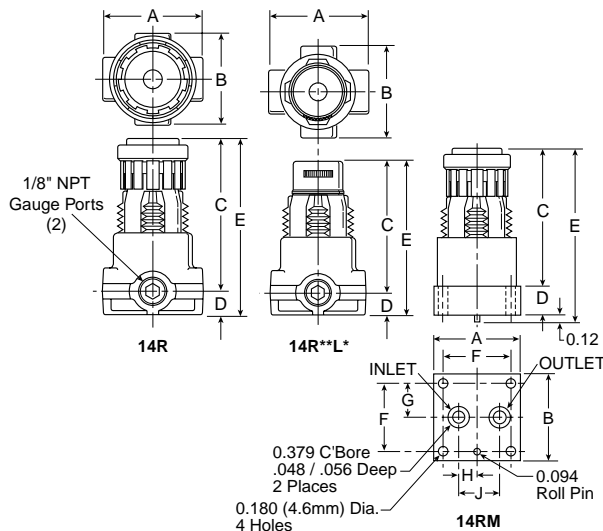


**14R Regulators – Miniature**



**Features**

- Unbalanced poppet standard
- Solid control piston with lip seal for extended life
- Non-rising adjusting knob
- Compact, 2.88 Inch (73.2mm) high by 1.65 Inch (42mm) wide
- Easily serviced
- High flow: 1/8" – 13 SCFM<sup>§</sup>  
 1/4" – 15 SCFM<sup>§</sup>



Port Size	NPT
Without Gauge	
1/8"	<b>14R013F*</b>
1/4"	<b>14R113F*</b>
With Gauge	
1/8"	<b>14R018F*</b>
1/4"	<b>14R118F*</b>

14R Regulator Dimensions					
	A	B	C	D	E
<b>14R</b>	1.65 (42)	1.56 (40)	2.50 (63.5)	.38 (10)	2.88 (73)
<b>14R**L*</b>	1.65 (42)	1.56 (40)	2.28 (57.9)	.38 (10)	2.68 (68)
<b>14RM</b>	A	B	C	D	E
	1.50 (38)	1.50 (38)	2.36 (60)	.50 (13)	2.98 (73)
	F	G	H	J	
	1.188 (30)	.594 (15)	.325 (8)	.725 (18)	

**Bold Items are Most Popular.**

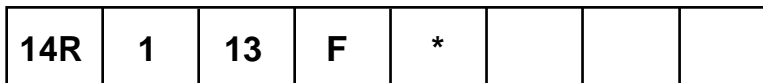
For other models refer to ordering information below.

**NOTE: 1.218 Dia. (31mm) hole required for panel mounting.**

§ SCFM = Standard cubic feet per minute at 100 PSIG inlet, 90 PSIG no flow secondary setting and 10 PSIG pressure drop.

Inches (mm)

**Ordering Information**



Port Size	Pressure Range	Relief	Port Type	Options	Preset / Pressure Limited
<b>0</b> 1/8 Inch Pipe, 1/8 Inch Gauge Port	<u>Without Gauge</u> Yellow Knob    Black Knob 10 30 PSIG    B0 30 PSIG 11 60 PSIG    B1 60 PSIG 12 15 PSIG    B2 15 PSIG <b>13 125 PSIG</b> B3 125 PSIG	<b>F</b> Relieving G Non-Relieving H Low Temp. Relieving J Low Temp. Non-Relieving	<b>Blank</b> NPT 1 BSPP 2 BSPT	<b>Blank</b> No Options L <sup>†</sup> Preset Non-Adjustable P <sup>†</sup> Preset Adjustable S <sup>†</sup> Pressure Limiter Max. Adjustable T Pressure Limiter Max. Non-Adjustable	<b>Blank</b> <b>None</b> XXX* Preset Pressure XXX* Pressure Limited
<b>B</b> 1/4 Inch Pipe, 1/4 Inch Gauge Port	<u>With Gauge</u> 15 30 PSIG    B5 30 PSIG 16 60 PSIG    B6 60 PSIG 17 15 PSIG    B7 15 PSIG 18 125 PSIG    B8 125 PSIG				* Available Preset / Pressure Limited Range, 10 to 90 PSIG in 5 PSIG increments. For higher pressures, contact factory. (Example: 065 = 65 PSIG)
<b>C</b> 1/8 Inch Pipe, No Gauge Port					
<b>M</b> Manifold Mounting					

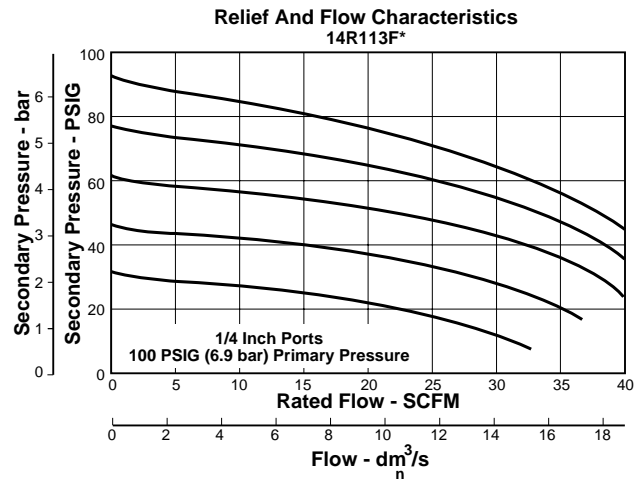
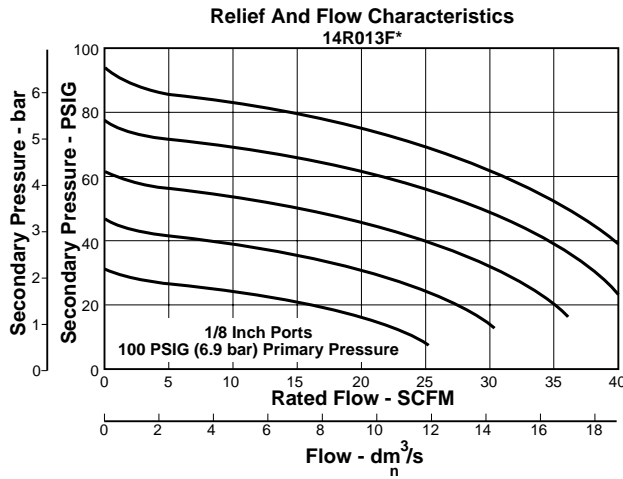
**Spring Type by Preset / Limited Pressure:**

- For Preset / Limited Pressure 10 to 25 use 30 PSI Spring
- For Preset / Limited Pressure 26 to 50 use 60 PSI Spring
- For Preset / Limited Pressure 51 to 90 use 125 PSI Spring

**BOLD ITEMS ARE MOST POPULAR.**



Technical Information



**⚠ WARNING**  
Product rupture can cause serious injury.  
Do not connect regulator to bottled gas.  
Do not exceed maximum primary pressure rating.

**⚠ CAUTION:**  
**REGULATOR PRESSURE ADJUSTMENT** – The working range of knob adjustment is designed to permit outlet pressures within their full range. Pressure adjustment beyond this range is also possible because the knob is not a limiting device. This is a common characteristic of most industrial regulators, and limiting devices may be obtained only by special design. For best performance, regulated pressure should always be set by increasing the pressure up to the desired setting.

14R Regulator Kits & Accessories

- Bonnet Assembly Kit ..... L01369
- Gauges – 30 PSIG, 1/8" NPT (0 to 2.1 bar) .....K4515N18030
- 60 PSIG, 1/8" NPT (0 to 4.1 bar) .....K4515N18060
- 160 PSIG, 1/8" NPT (0 to 11.0 bar) .....K4515N18160
- 60 PSIG, 1/4" NPT (0 to 4.1 bar) ..... K4520N14060
- 160 PSIG, 1/4" NPT (0 to 11.0 bar).....K4520N14160
- Mounting Bracket Kit\* (Includes Panel Mount Nut)..... PS417B
- Panel Mount Nuts\* – Plastic..... P78652
- Metal ..... P01531
- Poppet / Piston Kits – Unbalanced Non-Relieving.....PS428
- Unbalanced Relieving ..... PS426
- Springs – 1-15 PSIG Range (Yellow).....P01176
- 1-30 PSIG Range (Black).....P01175
- 1-60 PSIG Range (White).....P01174
- 2-125 PSIG Range (Gold)..... P01173

Specifications

- Gauge Ports (2) ..... 1/8 or 1/4 Inch  
(Can be used for Full Flow)
- Port Threads ..... 1/8, 1/4 Inch
- Pressure & Temperature Ratings –.....0 to 300 PSIG (0 to 20.7 bar)  
32°F to 125°F (0°C to 52°C)
- Secondary Pressure Ranges –

  - Standard Pressure..... 2 to 125 PSIG (0 to 8.6 bar)
  - Medium Pressure.....1 to 60 PSIG (0 to 4.1 bar)
  - Medium Pressure.....1 to 30 PSIG (0 to 2.1 bar)
  - Low Pressure ..... 1 to 15 PSIG (0 to 1 bar)

- Weight – 14R, 14RM, 14\*\*L\* ..... 0.3 lb. (0.14 kg)

Materials of Construction

- Adjusting Nut.....Brass
- Adjusting Stem & Spring ..... Steel
- Body ..... Zinc
- Bonnet, Seat, Piston & Valve Poppet ..... Plastic
- Seals ..... Nitrile

\*Tighten panel mount nut 2.8 to 3.4 Nm (25 to 30 in-lbs) of torque.

