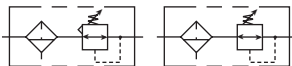


**B20 & B21 QIX Filter / Regulators**

**B**



**Features**

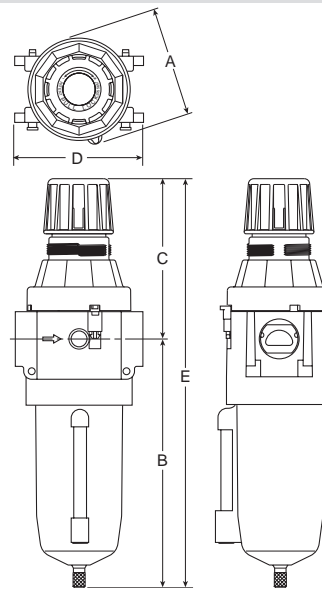
- Unique Interchangeable QIX Inserts Allow One Module to Accommodate 5 Port Sizes 1/4", 3/8", 1/2", 3/4", 1"
- Piston Operated Regulator for High Flow Performance
- Excellent Water Removal Efficiency
- Secondary Aspiration Plus Balanced Poppet Provides Quick Response and Accurate Pressure Regulation
- Excellent Water Removal Efficiency
- Manual Drain Standard
- Automatic Drain Optional
- Panel Mountable
- High Flow: 250 SCFM for 3/4" & 1" Port Sizes

**B20 Features**

- Push-to-Lock, Pull-to-Adjust, Remove-for-Tamper Resistant Knob Feature

**B21 Features**

- Heavy Duty Tee Handle Adjustment



B20 / B21 Dimensions					
A	B	C	D*	D**	E
<b>B20</b>					
3.03 (77)	6.82 (173)	4.45 (113)	3.50 (89)	4.50 (114)	11.27 (286)
<b>B21</b>					
3.03 (77)	6.82 (86)	5.58 (142)	3.50 (89)	4.50 (114)	12.40 (315)

inches  
 (mm)  
 \* 1/4 thru 3/4 Inch Port Insert Size  
 \*\* 1 Inch Port Insert Size

**Ordering Information**

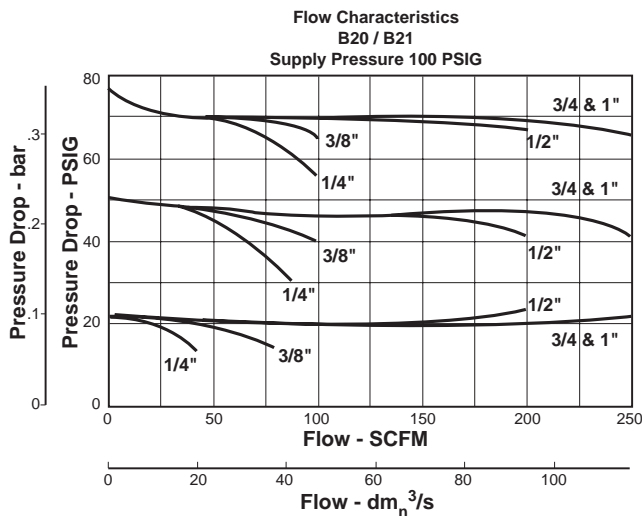


<b>Adjustment Type</b> 20 Knob 21 Tee Handle	<b>Port Threads</b> — NPT G* BSPP <small>* If ordering BSPP Port Inserts Separately - Order "G00" Unit</small>	<b>Port Size</b> 00 No Port Inserts 02 1/4 Inch 03 3/8 Inch 04 1/2 Inch 06 3/4 Inch 08 1 Inch	<b>Elements</b> G 5 Micron J 40 Micron	<b>Reduced Pressure Range</b> B 0-60 PSIG C 0-125 PSIG D 0-250 PSIG	<b>Drains and Options</b> G Gauge K Non-Relieving P Panel Mount Nut (Plastic) R Internal Auto Float Drain S Automatic Pulse Drain U Semi-Auto Drain	<b>Engineering Change Designator</b> Will be entered at factory.
--	---	---	--	--	---	---

**BOLD ITEMS ARE MOST POPULAR.**



Technical Information



**⚠ WARNING**  
Product rupture can cause serious injury.  
Do not connect regulator to bottled gas.  
Do not exceed maximum primary pressure rating.

**⚠ CAUTION:**  
**REGULATOR PRESSURE ADJUSTMENT** – The working range of knob adjustment is designed to permit outlet pressures within their full range. Pressure adjustment beyond this range is also possible because the knob is not a limiting device. This is a common characteristic of most industrial regulators, and limiting devices may be obtained only by special design. For best performance, regulated pressure should always be set by increasing the pressure up to the desired setting.



QIX B20 & B21 Kits & Accessories

- Drains –**
  - Automatic Float Drain ..... SA602MD
  - Automatic Pulse Drain ..... 4212
  - Semi-Automatic “Overnight” Drain ..... SA602A7  
(Drains automatically under zero pressure)
- Bowl Kit** ..... BKF21WA
- Bowl Sightgauge Repair Kit** ..... RKB605WB
- Combination Connector** ..... IK20CC  
(Connects 2 QIX units together)
- Combination Porting Block** ..... IK20CP  
(same as IK20CC, except with 1/8" top branch outlet)
- Element Kits–**
  - Particulate (F20) 40 micron ..... EKF20A
  - Particulate (F20) ..... 5 micron EKF20VA
- Mounting Brackets (pair)** ..... MK20-0100
- Panel Mount Nut –**
  - Plastic ..... R10X51-P
  - Aluminum ..... R10X51-A
- Port Insert Kits (includes o-rings & pins) NPT –**
  - 1/4" Port Size ..... IK20Y
  - 3/8" Port Size ..... IK20X
  - 1/2" Port Size ..... IK20A
  - 3/4" Port Size ..... IK20B
  - 1" Port Size ..... IK20C
- Repair kit - internal parts (piston, innervolve, seals) –**
  - Relieving ..... RKR20A
  - Non-Relieving (K) ..... RKR20KA
- Spring Cage Kit –**
  - R20 ..... CKR20A
  - R21 ..... CKR21Y
- Wall Mounting Bracket** ..... SAR 20A57  
(uses panel mount threads - includes plastic panel mount nut)

Specifications

- Bowl Capacity** ..... 10 oz.
- Filter Element Rating –**
  - “J” (particulate) ..... 40 micron
  - “G” (particulate) ..... 5 Micron

- Gauge Ports (2)** ..... 1/4"
- Maximum Pressure** ..... 250 PSIG  
With Auto Drain ..... 175 PSIG
- Port Threads / Inserts –**
  - 00 ..... No Port Inserts
  - 02 ..... 1/4"
  - 03 ..... 3/8"
  - 04 ..... 1/2"
  - 06 ..... 3/4"
  - 08 ..... 1"
- Reduced Pressure Range –**
  - “B” ..... 0-60 PSIG
  - “C” ..... 0-120 PSIG
  - “D” ..... 0-250 PSIG
- Temperature Range** ..... 40°F to 150°F (4.4°C to 65.6°C)  
With Auto Drain ..... 40°F to 125°F (4.4°C to 52°C)
- Weight** ..... 4.5 lb  
(For total weight add .1 lb for port inserts)
- Materials of Construction**
  - Adjusting Knob (R/B 20)** ..... Acetal
  - Adjusting Screw (all)** ..... Steel
  - Body** ..... Zinc
  - Bottom Plug** ..... Brass
  - Bowl** ..... Zinc
  - Drain** ..... Brass
  - Filter Element (particulate)** ..... Polypropylene
  - Innervolve** ..... Brass
  - Piston** ..... Nylon
  - Seals** ..... Buna-N
  - Sightgauge** ..... Nylon
  - Spring Cage** ..... Zinc
  - Springs** ..... Steel
  - Thread Inserts** ..... Zinc

