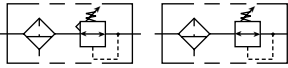


B35 Integral Filter / Regulator

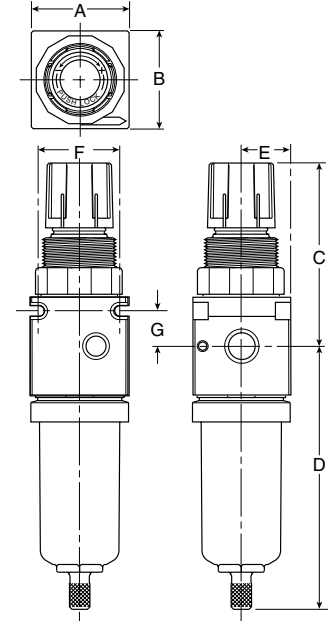


Features

- Compact Size Allows Greater Design Flexibility
- Nearly Double the Flow Capacity of Standard Miniature Filters; Reduces Costly Pressure Drop
- Connects to Other QUBE Units Using Just Screws and O-rings (Included)
- Integral Mounting Slots Eliminate Need for Mounting Brackets
- Piston Operated Regulator for High Flow and Low Pressure Drop
- Panel Mountable
- Excellent Water Removal Efficiency
- Unique Deflector Plate that Creates Swirling of the Air Stream Ensuring Maximum Water and Dirt Separation
- Large Filter Element Surface Guarantees Low Pressure Drop and Increased Element Life
- 20 Micron Filter Element Standard, 5 Micron Available
- Transparent Polyurethane Bowl Standard
- Metal Bowl with Wraparound Sight Gauge Optional
- Manual Drain as Standard, Optional Piston Drain
- Large Bowl Capacity
- High Flow: 1/8" & 1/4" - 35 SCFM[§]



Polyurethane Bowls and Sight Gauges Offer Improved Chemical Compatibility.



Port Size	NPT	
	Manual Twist Drain	Piston Drain
Polyurethane Bowl		
1/8"	B35-01AH	B35-01AHS
1/4"	B35-02AH	B35-02AHS
Zinc Bowl / Sight Gauge		
1/8"	B35-01WH	B35-01WHS
1/4"	B35-02WH	B35-02WHS

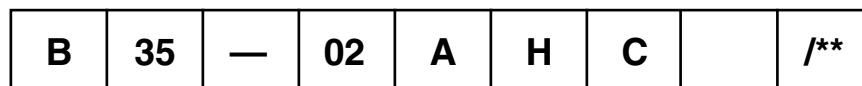
Bold Items are Most Popular.
For other models refer to ordering information below.

[§] SCFM = Standard Cubic Feet Per Minute at 100 PSIG Inlet, 75 PSIG No Flow Secondary Setting, and 20 PSIG Pressure Drop with 20 Micron Element.

B35 Integral Filter / Regulator Dimensions						
A	B	C	D	E	F	G
B35-A						
1.59 (40.6)	1.59 (40.6)	2.98 (75.7)	4.23 (107.5)	0.80 (20.3)	1.31 (33.3)	0.58 (14.6)
B35-D						
1.59 (40.6)	1.59 (40.6)	2.98 (75.7)	4.25 (107.9)	0.80 (20.3)	1.31 (33.3)	0.58 (14.6)
B35-W						
1.59 (40.6)	1.59 (40.6)	2.98 (75.7)	4.45 (113.2)	0.80 (20.3)	1.31 (33.3)	0.58 (14.6)

Inches (mm) NOTE: 1.25 Dia. (32mm) hole required for panel mounting.

Ordering Information

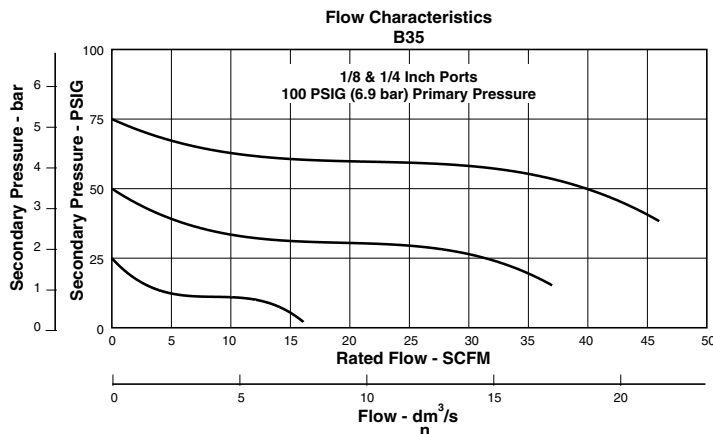


Port Threads	Port Size	Bowl	Element	Reduced Pressure Range	Options	Engineering Change Designator
— NPT G BSPP	01 1/8" 02 1/4"	A Transparent D Metal without Sight Gauge W Metal with Wraparound Sight Gauge	G 5 Micron H 20 Micron	A 0-25 PSIG B 0-60 PSIG C 0-125 PSIG	G Gauge K Non-relieving P Panel Mount Nut S Piston Drain T Tamperproof Adjustment	Will be entered at factory.

BOLD ITEMS ARE MOST POPULAR.



Technical Information



WARNING
Product rupture can cause serious injury.
Do not connect regulator to bottled gas.
Do not exceed maximum primary pressure rating.

CAUTION:
REGULATOR PRESSURE ADJUSTMENT – The working range of knob adjustment is designed to permit outlet pressures within their full range. Pressure adjustment beyond this range is also possible because the knob is not a limiting device. This is a common characteristic of most industrial regulators, and limiting devices may be obtained only by special design. For best performance, regulated pressure should always be set by increasing the pressure up to the desired setting.

B35 Integral Filter / Regulator Kits & Accessories

Bowl Kits –

- Polyurethane (A)..... BKF35A
- Zinc (D)..... BKF35D
- Zinc (W) Wraparound Sight Gauge BKF35W

Cage Kits –

- Push / Pull Adjusting Knob Kit (A Range)..... CKR35A
- Push / Pull Adjusting Knob Kit (B & C Range)..... CKR35BC

Control Knob R35-0545P

Drain Kits –

- Manual Twist Drain SA600Y7-1
- Piston Drain (Maximum Pressure - 175 PSIG)..... PKF35
- Semi-Automatic “Overnight” Drain SA602A7
(Drains automatically under zero pressure)

Filter Element Kits –

- 5 Micron (All) EK504VY
- 20 Micron (All) EK504Y

Gauges –

- 1-1/2" Dial Size, 1/8" Back Connection
0 to 60 PSIG (0 to 4 bar) K4515N18060
- 1-1/2" Dial Size, 1/8" Back Connection
0 to 160 PSIG (0 to 11 bar) K4515N18160

Panel Mounting Bracket Kit (Bonnet Threads) SA161X57

Face Mounting Bracket Kit (See Page 35) SAR35Y57

Panel Mount Nut –

- Plastic..... R05X51-P
- Aluminum..... R05X51-A

Repair Kits –

- Deflector, Element Retainer (All) RKF30
- Non-Relieving Piston, Valve Assembly RKR30K
- Relieving Piston, Valve Assembly RKR30

Specifications

- Bowl Capacity** 1.5 Ounce
- Gauge Ports (2)** 1/8 Inch
- Port Threads** 1/8, 1/4 Inch
- Pressure & Temperature Ratings –**
 - Polyurethane Bowl..... 0 to 150 PSIG (0 to 10.2 bar)
40°F to 125°F (4.4°C to 52°C)
 - Zinc Bowl..... 0 to 300 PSIG (0 to 20.4 bar)
With Piston Drain..... 175 PSIG Max. Press. (11.9 bar)
40°F to 150°F (4.4°C to 65.6°C)
 - Zinc Bowl w/ Sight Gauge 0 to 250 PSIG (0 to 17.2 bar)
With Piston Drain..... 175 PSIG Max. Press. (11.9 bar)
40°F to 150°F (4.4°C to 65.6°C)
- Weight –**
 - Polyurethane Bowl..... 0.78 lb. (0.4 kg) / Unit
20.8 lb. (9.4 kg) / 24-unit Master Pack
 - Zinc Bowl..... 0.98 lb. (0.4 kg) / Unit
25.6 lb. (11.6 kg) / 24-unit Master Pack
 - Zinc Bowl W/ Sight Gauge..... 1.03 lb. (0.5 kg) / Unit
26.8 lb. (12.2 kg) / 24-unit Master Pack

Materials of Construction

- Body**.....Zinc
- Bowls**..... Polyurethane
Metal (Zinc)
- Cage** Acetal Plastic
- Drains** Brass
- Filter Elements**..... Polyethylene
- Seals** Nitrile



QUBE Features
Filters
Coalescing Filters
Regulators
Lubricators
Integral Filter Regulators
Combination Units
Accessories
Soft Start Valves
Mounting Brackets