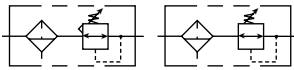
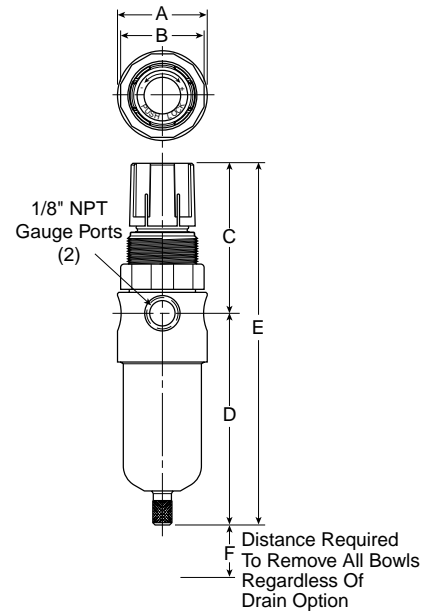


B548 Filter / Regulator – Miniature



Features

- Excellent Water Removal Efficiency
- Unbalanced Poppet Standard
- Solid Control Piston for Extended Life
- Space Saving Package Offers Both Filter and Regulator Features in One Integral Unit
- Non-rising Adjustment Knob
- High Flow: 12 SCFM[§]



Port Size	NPT	
		Manual Twist Drain
Poly Bowl [‡]		
1/8"	B548-01AHC	
1/4"	B548-02AHC	
Metal Bowl without Sight Gauge		
1/8"	B548-01DHC	
1/4"	B548-02DHC	

Standard part numbers shown bold. For other models refer to ordering information below.

[‡] For polycarbonate bowl see Caution on page 1.

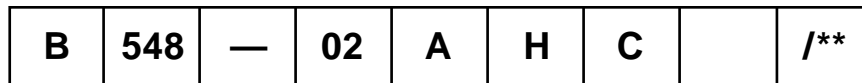
[§] SCFM = Standard cubic feet per minute at 100 PSIG inlet, 75 PSIG no flow secondary setting and 25% pressure drop.

NOTE: 1.218 Dia. (31mm) hole required for panel mounting.

B548 Filter / Regulator Dimensions		
A	B	C
1.55 (39.2)	4.44 (36.5)	2.58 (65.6)
D	E	F
6.23 (158.2)	3.81 (96.7)	0.86 (21.9)

Inches (mm)
[†] With Auto Drain

Ordering Information



Port Threads — NPT G BSPP	Port Size 01 1/8 Inch 02 1/4 Inch	Bowl A Polycarbonate Bowl D Metal without Sight Gauge	Elements G 5 Micron H 20 Micron	Reduced Pressure Range A 0-25 PSIG B 0-60 PSIG C 0-125 PSIG	Options G Gauge K Non-Relieving P Panel Mount (Plastic) S Automatic Pulse Drain T Tamperproof X64 Fluorocarbon O-rings & Diaphragm X33* Polyurethane Bowl	Engineering Change Designator Will be entered at factory.
--	--	---	---	--	---	---

* Add .65" to overall length.

NOTE: BOLD OPTIONS ARE STANDARD.