

B75 Integral Filter / Regulator

QUBE Features

Filters

Coalescing Filters

Regulators

Lubricators

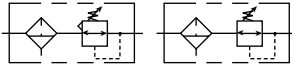
Integral Filter Regulators

Combination Units

Accessories

Soft Start Valves

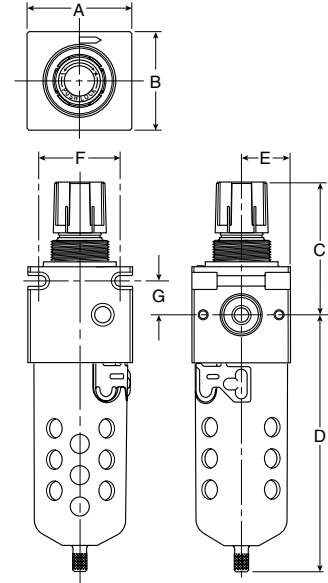
Mounting Brackets



Features

- Compact Size Allows Greater Design Flexibility
- Connects to Other QUBE Units Using Just Screws & O-rings (Included)
- Integral Mounting Slots Eliminate Need for Mounting Brackets
- Diaphragm Operated Design with Balanced Poppet Design for Quick And Accurate Regulation
- Panel Mountable
- For Applications Requiring Minimum Pressure Drop
- Excellent Water Removal Efficiency
- Unique Deflector Plate that Creates Swirling of the Air Stream Ensuring Maximum Water and Dirt Separation
- Large Filter Element Surface Guarantees Low Pressure Drop and Increased Element Life
- 40 Micron Filter Element Standard, 5 Micron Available
- Transparent Polyurethane Bowl with Bowl Guard as Standard
- Metal Bowl with Wraparound Sight Gauge Optional
- Manual Drain as Standard, Optional Auto Float Drain
- Large Bowl Capacity
- High Flow: 1/4" - 40 SCFM[§]
 3/8" - 60 SCFM[§]
 1/2" - 80 SCFM[§]

Polyurethane Bowls and Sight Gauges Offer Improved Chemical Compatibility.



Port Size	NPT	
	Manual Twist Drain	Automatic Float Drain
Polyurethane Bowl / Plastic Guard		
1/4"	B75-02BJC	B75-02BJCR
3/8"	B75-03BJC	B75-03BJCR
1/2"	B75-04BJC	B75-04BJCR
Zinc Bowl / Sight Gauge		
1/4"	B75-02WJC	B75-02WJCR
3/8"	B75-03WJC	B75-03WJCR
1/2"	B75-04WJC	B75-04WJCR

B75 Integral Filter / Regulator Dimensions						
A	B	C	D	E	F	G
B75-B, B75-D						
2.00 (50.8)	2.00 (50.8)	2.78 (70.6)	5.19 (131.8)	1.00 (25.4)	1.64 (41.7)	0.70 (17.9)
B75-W						
2.00 (50.8)	2.00 (50.8)	2.78 (70.6)	5.44 (138.2)	1.00 (25.4)	1.64 (41.7)	0.70 (17.9)

Inches
(mm)

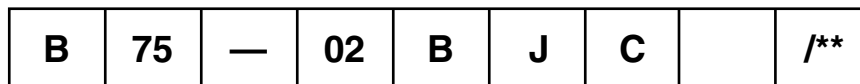
NOTE: 1.25 Dia. (32mm) hole required for panel mounting.

Bold Items are Most Popular.

For other models refer to ordering information below.

[§] SCFM = Standard Cubic Feet Per Minute at 100 PSIG Inlet, 75 PSIG No Flow Secondary Setting, and 20 PSIG Pressure Drop with 20 Micron Element.

Ordering Information

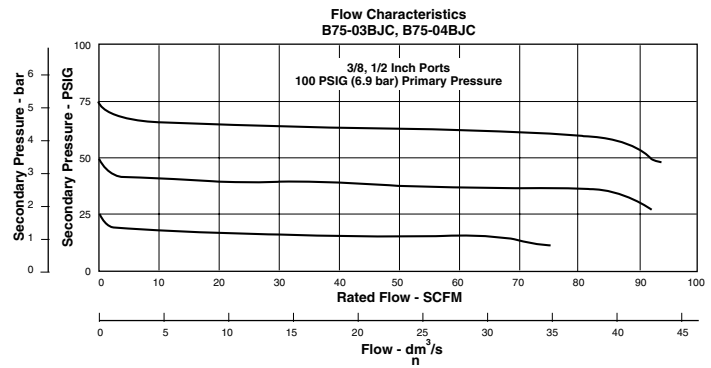
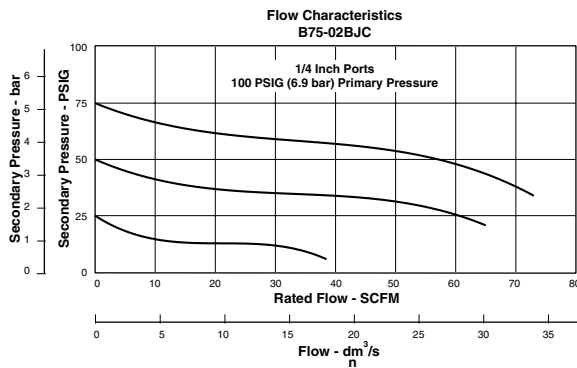


Port Threads	Port Size	Bowl	Element	Reduced Pressure Range	Options	Engineering Change Designator
— NPT G BSPP	02 1/4" 03 3/8" 04 1/2"	B Transparent with Plastic Bowl Guard D Metal without Sight Gauge W Metal with Wraparound Sight Gauge	G 5 Micron J 40 Micron	A 0-25 PSIG B 0-60 PSIG C 0-125 PSIG	G Gauge K Non-relieving P Panel Mount Nut R Automatic Float Drain T Tamperproof Adjustment	Will be entered at factory.

BOLD ITEMS ARE MOST POPULAR.



Technical Information



⚠ WARNING

**Product rupture can cause serious injury.
 Do not connect regulator to bottled gas.
 Do not exceed maximum primary pressure rating.**

⚠ CAUTION:

REGULATOR PRESSURE ADJUSTMENT – The working range of knob adjustment is designed to permit outlet pressures within their full range. Pressure adjustment beyond this range is also possible because the knob is not a limiting device. This is a common characteristic of most industrial regulators, and limiting devices may be obtained only by special design. For best performance, regulated pressure should always be set by increasing the pressure up to the desired setting.

B75 Integral Filter / Regulator Kits & Accessories

- Bowl Kits –**
 Polyurethane (B)..... BKF55B
 Zinc (D)..... BKF55D
 Zinc (W) Wraparound Sight Gauge BKF55W
- Cage Kits –**
 Glass-Filled Acetal Plastic CKR75
 Tamperproof CKR75T
- Control Knob R35-0545P**
- Drain Kits –**
 Manual Twist Drain SA600Y7-1
 Internal Auto (Max. Pressure: 175 PSIG) (B & D)..... SA602MD
 Internal Auto (Max. Pressure: 175 PSIG) (W)..... SAF105MD
 Semi-Automatic “Overnight” Drain..... SA602A7
 (Drains automatically under zero pressure)
- Filter Element Kits –**
 5 Micron (All) EK55G
 40 Micron (All) EK55J
- Gauges –**
 1-1/2" Dial Size, 1/8" Back Connection
 0 to 60 PSIG (0 to 4 bar) K4515N18060
 1-1/2" Dial Size, 1/8" Back Connection
 0 to 160 PSIG (0 to 11 bar) K4515N18160
- Panel Mounting Bracket Kit SA161X57**
- Face Mounting Bracket Kit (See Page 37) SAR75Y57**
- Panel Mount Nut –**
 Plastic R05X51-P
 Aluminum..... R05X51-A
- Repair Kits –**
 Automatic Float Drain (Maximum Pressure - 175 PSIG).... RK602MD
 Deflector, Element Retainer (All) RKF55
 Non-Relieving Diaphragm, Valve Assembly RKR75K
 Relieving Diaphragm, Valve Assembly RKR75

Specifications

- Bowl Capacity 3.8 Ounce**
- Gauge Ports (2) 1/8 Inch**
- Port Threads 1/4, 3/8 & 1/2 Inch**
- Pressure & Temperature Ratings –**
 Polyurethane Bowl..... 0 to 150 PSIG (0 to 10.2 bar)
 40°F to 125°F (4.4°C to 52°C)
 Zinc Bowl 0 to 300 PSIG (0 to 20.4 bar)
 40°F to 150°F (4.4°C to 65.6°C)
 With Automatic Float Drain..... 175 PSIG Max. Press. (11.9 bar)
 40°F to 125°F (4.4°C to 52°C)
 Zinc Bowl w/ Sight Gauge 0 to 250 PSIG (0 to 17.2 bar)
 40°F to 150°F (4.4°C to 65.6°C)
 With Automatic Float Drain..... 175 PSIG Max. Press. (11.9 bar)
 40°F to 125°F (4.4°C to 52°C)
- Weight –**
 Polyurethane Bowl..... 1.50 lb. (0.7 kg) / Unit
 18 lb. (8.2 kg) / 12-Unit Master Pack
 Zinc Bowl..... 1.75 lb. (0.8 kg) / Unit
 21 lb. (9.5 kg) / 12-Unit Master Pack
 Zinc Bowl W/ Sight Gauge..... 1.85 lb. (0.8 kg) / Unit
 22 lb. (10 kg) / 12-Unit Master Pack

Materials of Construction

- Body Zinc**
- Bowls Polyurethane
 Metal (Zinc)**
- Cage Glass-Filled Acetal Plastic**
- Drains Brass**
- Filter Elements Polyethylene**
- Seals Nitrile**

QUBE Features

Filters

Coalescing Filters

Regulators

Lubricators

Integral Filter Regulators

Combination Units

Accessories

Soft Start Valves

Mounting Brackets

