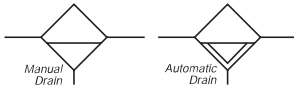


**A**

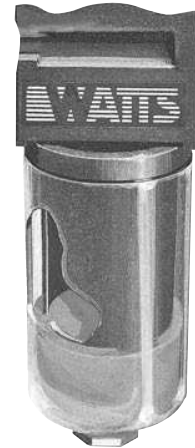
**F105 Filter**



**Features**

- Connects to Other QUBE Units Using Just Screws and O-rings (Included)
- Integral Mounting Slots Eliminate Need for Mounting Brackets
- Excellent Water Removal Efficiency
- For Applications Requiring Minimum Pressure Drop
- Unique Deflector Plate that Creates Swirling of the Air Stream Ensuring Maximum Water and Dirt Separation
- Large Filter Element Surface Guarantees Low Pressure Drop and Increased Element Life
- 40 Micron Filter Element Standard, 5 Micron Available
- Transparent Polyurethane Bowl with Bowl Guard as Standard
- Metal Bowl with Wraparound Sight Gauge Optional
- Manual Drain as Standard, Optional Auto Float Drain
- Large Bowl Capacity
- High Flow: 1/2" - 120 SCFM<sup>§</sup>  
 3/4" - 160 SCFM<sup>§</sup>

**Polyurethane Bowls and Sight Gauges Offer Improved Chemical Compatability.**



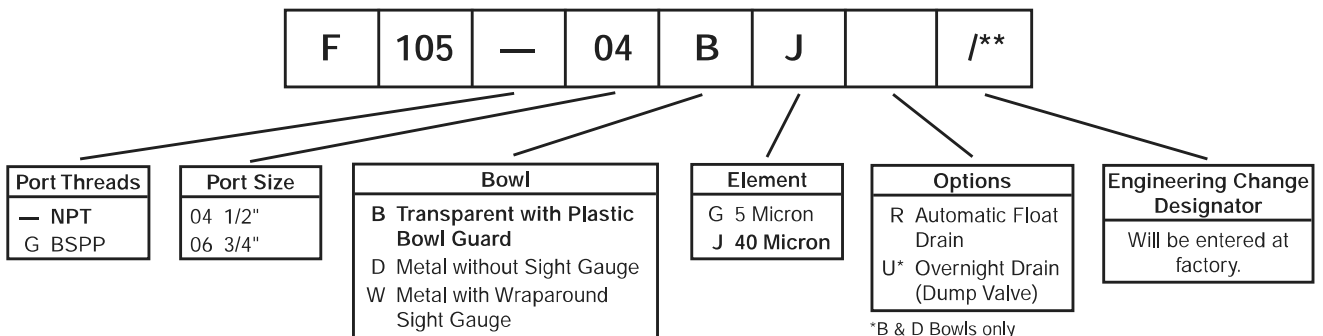
| Port Size                                | NPT                |                       | BSPP               |                       |
|--|--------------------|-----------------------|--------------------|-----------------------|
|  | Manual Twist Drain | Automatic Float Drain | Manual Twist Drain | Automatic Float Drain |
| <b>Polyurethane Bowl / Plastic Guard</b> |                    |                       |                    |                       |
| 1/2"                                     | <b>F105-04BJ</b>   | <b>F105-04BJR</b>     | F105G04BJ          | F105G04BJR            |
| 3/4"                                     | <b>F105-06BJ</b>   | <b>F105-06BJR</b>     | F105G06BJ          | F105G06BJR            |
| <b>Metal Bowl / Sight Gauge</b>          |                    |                       |                    |                       |
| 1/2"                                     | <b>F105-04WJ</b>   | <b>F105-04WJR</b>     | F105G04WJ          | F105G04WJR            |
| 3/4"                                     | <b>F105-06WJ</b>   | <b>F105-06WJR</b>     | F105G06WJ          | F105G06BWR            |

**Wraparound Sight Gauge Bowl**  
 All QUBE filters, lubricators, and integrals are available with the Watts Wraparound Polyurethane Sight Gauge Bowl. These unique bowls provide the 360° visibility of a plastic bowl while maintaining the high strength and safety features of metal bowls. Polyurethane bowls with guards, and metal bowls, are also available.

**Bold Items are Most Popular.**  
 For other models refer to ordering information below.

<sup>§</sup> SCFM = Standard Cubic Feet Per Minute at 100 PSIG Inlet, and 5 PSIG Pressure Drop with 40 Micron Element.

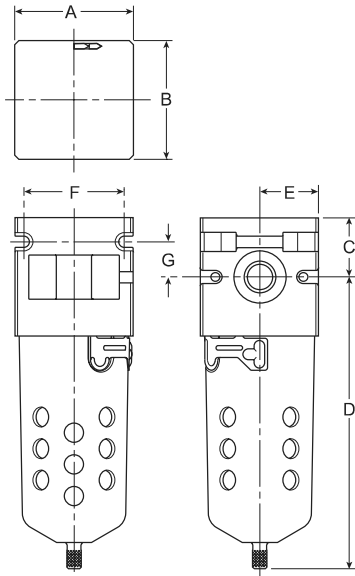
**Ordering Information**



**BOLD ITEMS ARE MOST POPULAR.**



**Technical Information**



| F105 Filter Dimensions     |                |                |                |                 |                |                |                |                |
|----------------------------|----------------|----------------|----------------|-----------------|----------------|----------------|----------------|----------------|
| A*                         | A†             | B              | C              | D               | E              | F*             | F†             | G              |
| <b>F105-BJ and F105-DJ</b> |                |                |                |                 |                |                |                |                |
| 2.69<br>(68.3)             | 3.03<br>(77.0) | 2.69<br>(68.3) | 1.34<br>(34.1) | 6.66<br>(169.1) | 1.35<br>(34.3) | 2.27<br>(57.6) | 2.55<br>(64.8) | 0.88<br>(22.2) |
| <b>F105-WJ</b>             |                |                |                |                 |                |                |                |                |
| 2.69<br>(68.3)             | 3.03<br>(77.0) | 2.69<br>(68.3) | 1.34<br>(34.1) | 6.66<br>(169.1) | 1.35<br>(34.3) | 2.27<br>(57.6) | 2.55<br>(64.8) | 0.88<br>(22.2) |

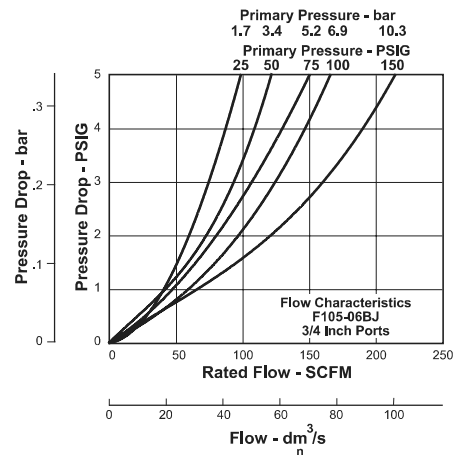
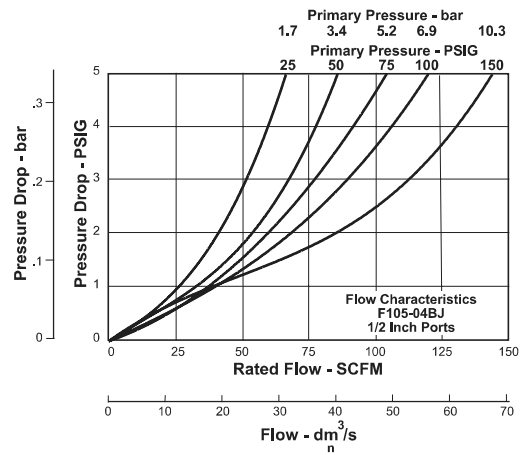
Inches (mm)  
 \* 3/8 and 1/2 Inch Ports  
 † 3/4 Inch Ports

**F105 Filter Kits & Accessories**

- Bowl Kits –**  
 Polyurethane (B)..... BKF105B  
 Metal (D)..... BKF105D  
 Metal (W) Wraparound Sight Gauge ..... BKF105W
- Drain Kits –**  
 Manual Twist Drain ..... SA600Y7-1  
 Internal Auto (Max. Pressure: 175 PSIG) (B & D)..... SA602MD  
 Internal Auto (Max. Pressure: 175 PSIG) (W)..... SAF105MD  
 Semi-Automatic "Overnight" Drain..... SA602A7  
 (Drains automatically under zero pressure)
- Filter Element Kits –**  
 5 Micron (All) ..... EKF100G  
 40 Micron (All) ..... EKF100J
- Face Mounting Bracket Kit (See Page A66) ..... SAR105Y57**
- Repair Kits –**  
 Deflector, Retainer..... RFK100  
 Internal Float Drain..... RK602MD

**Specifications**

- Bowl Capacity** ..... 8.5 Ounce  
**Port Threads** ..... 1/2, 3/4 Inch  
**Pressure & Temperature Ratings –**  
 Polyurethane Bowl..... 0 to 150 PSIG (0 to 10.2 bar)  
 40°F to 125°F (4.4°C to 52°C)



- Zinc Bowl..... 0 to 300 PSIG (0 to 20.4 bar)  
 40°F to 180°F (4.4°C to 82.2°C)  
 With Automatic Float Drain..... 175 PSIG Max. Press. (11.9 bar)  
 40°F to 125°F (4.4°C to 52°C)
- Zinc Bowl w/ Sight Gauge ..... 0 to 250 PSIG (0 to 17.2 bar)  
 40°F to 150°F (4.4°C to 65.6°C)  
 With Automatic Float Drain..... 175 PSIG Max. Press. (11.9 bar)  
 40°F to 125°F (4.4°C to 52°C)
- Weight –**  
 Polyurethane Bowl..... 1.10 lb. (0.50 kg) / Unit  
 10.8 lb. (4.9 kg) / 8-Unit Master Pack  
 Zinc Bowl..... 1.54 lb. (0.70 kg) / Unit  
 14.3 lb. (6.5 kg) / 8-Unit Master Pack  
 Zinc Bowl W/ Sight Gauge..... 1.74 lb. (0.79 kg) / Unit  
 15.9 lb. (7.2 kg) / 8-Unit Master Pack

**Materials of Construction**

- Body** ..... Aluminum  
**Bowls** ..... Polyurethane  
 Metal (Zinc)  
**Drains** ..... Brass  
**Filter Elements** ..... Polypropylene  
**Seals** ..... Nitrile

