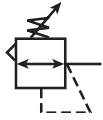


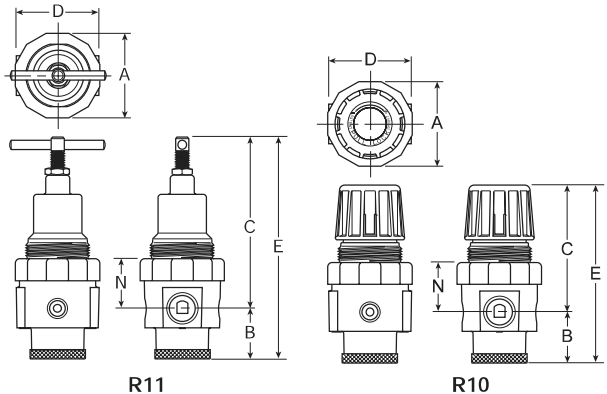
## R10 / R11 General Purpose Regulators

**B**



### Features

- High Flow Performance  
Featuring Rugged Design for the Most Demanding Applications
- Diaphragm Operated Design with Balanced Poppet Design for Quick and Accurate Regulation
- Accurate Pressure Regulation
- Panel Mountable
- High Flow: 1/4" - 80 SCFM<sup>§</sup>  
3/8" - 80 SCFM<sup>§</sup>  
1/2" - 100 SCFM<sup>§</sup>
- **R10**: Push-to-Lock, Pull-to-Adjust. Adjusting Lock is engaged when Knob is Removed Rendering Unit Tamper Resistant
- **R11**: Heavy Duty Tee Handle Adjustment



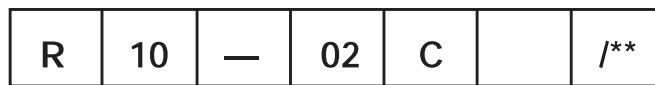
Port Size	R10 NPT	R11 NPT
	<b>Relieving</b>	<b>Relieving</b>
<b>Without Gauge 0-125 PSIG Reduced Pressure</b>		
1/4"	<b>R10-02C</b>	<b>R11-02C</b>
3/8"	<b>R10-03C</b>	<b>R11-03C</b>
1/2"	<b>R10-04C</b>	<b>R11-04C</b>
<b>With Gauge 0-125 PSIG Reduced Pressure</b>		
1/4"	<b>R10-02CG</b>	<b>R11-02CG</b>
3/8"	<b>R10-03CG</b>	<b>R11-03CG</b>
1/2"	<b>R10-04CG</b>	<b>R11-04CG</b>

R10 Regulator Dimensions					
A	B	C	D	E	N
<b>R10</b>					
2.25 (57)	1.40 (36)	3.38 (86)	2.33 (59)	4.78 (121)	1.38 (35)
<b>R11</b>					
2.25 (57)	1.40 (36)	4.72 (120)	2.33 (59)	6.13 (156)	1.38 (35)

inches  
(mm)  
NOTE: 1.75 Dia. (44mm) hole required for panel mounting.

**Bold items are most popular.**  
For other models refer to ordering information below.  
§ SCFM = Standard cubic feet per minute at 100 PSIG inlet, 75 PSIG no flow secondary setting, and 20 PSIG pressure drop.

### Ordering Information

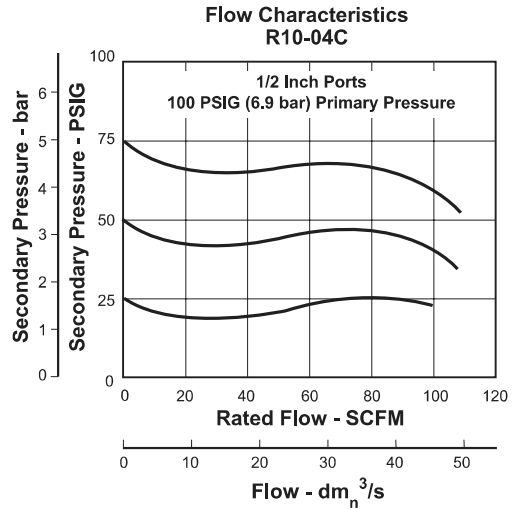
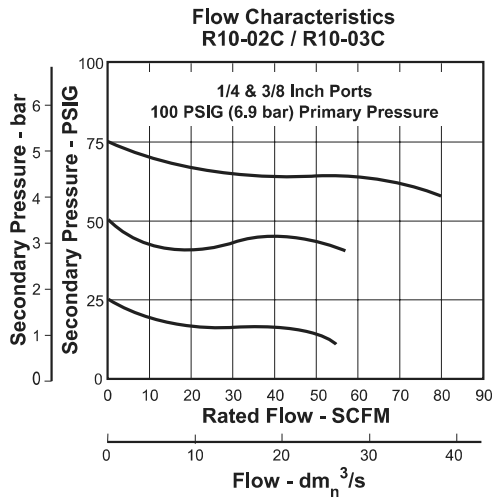


<b>Series</b> 10 Tamper Resistant, Snap Lock, Removable Knob 11 Tee Handle Adjustment	<b>Port Threads</b> - NPT G BSPP	<b>Port Size</b> 02 1/4 Inch 03 3/8 Inch 04 1/2 Inch	<b>Reduced Pressure Range</b> A 0-25 PSIG B 0-60 PSIG C 0-125 PSIG D 0-250 PSIG	<b>Options</b> G Gauge K Non-Relieving P Panel Mount Nut X64** Fluorocarbon O-Rings and Diaphragm N Panel Mount Threads at Top of Bonnet (R11 Only) X81** Brass Body X8** Low Temp. Version X7* Brass Bottom Plug	<b>Engineering Change Designator</b> Will be entered at factory.  *NOTE: Beginning January 2008, Brass Bottom Plug is Optional - Nylon is Standard. ** Brass Bottom Plug Standard with X64, X81, and X8 Options.
---	--	---	---	---	--

**BOLD ITEMS ARE MOST POPULAR.**



Technical Information



**B**

**⚠ WARNING**  
Product rupture can cause serious injury.  
Do not connect regulator to bottled gas.  
Do not exceed maximum primary pressure rating.

**⚠ CAUTION:**  
**REGULATOR PRESSURE ADJUSTMENT** – The working range of knob adjustment is designed to permit outlet pressures within their full range. Pressure adjustment beyond this range is also possible because the knob is not a limiting device. This is a common characteristic of most industrial regulators, and limiting devices may be obtained only by special design. For best performance, regulated pressure should always be set by increasing the pressure up to the desired setting.

R10 / R11 Regulator Kits & Accessories

- Control Knob (R10) ..... R10Y54
- Tee Handle (R11) ..... SA16Y53
- Gauges –
  - 2" Dial Size, 1/4" Back Connection  
0 to 60 PSIG (0 to 400 kPa) ..... K4520N14060
  - 2" Dial Size, 1/4" Back Connection  
0 to 160 PSIG (0 to 1100 kPa) ..... K4520N14160
  - 2" Dial Size, 1/4" Back Connection  
0 to 300 PSIG (0 to 2068 kPa) ..... K4520N14300
- Mounting Bracket Kit ..... SAR10Y57
- Panel Mount Nut –
  - Plastic ..... R10X51-P
  - Aluminum ..... R10X51-A
- Repair Kits –
  - Non-Relieving ..... RKR10KY
  - Non-Relieving (Viton) ..... RKR10KYX64
  - Relieving ..... RKR10Y
  - Relieving (Viton) ..... RKR10YX64
- Cage Kit –
  - R10 ..... CKR10Y
  - R11 ..... CKR11Y

Specifications

- Gauge Ports (2) ..... 1/4 Inch
- Port Threads ..... 1/4, 3/8, 1/2 Inch
- Supply Pressure ..... 300 PSIG Maximum (20.4 bar)
- Temperature Rating ..... 40°F to 125°F (4.4°C to 52°C)
- Weight ..... 1.3 lb. (0.59 kg) / Unit  
32 lb. (14.51 kg) / 24-Unit Master Pack

Materials of Construction

- Adjusting Knob –
  - R10 ..... Acetal
  - R11 (Tee Handle) ..... Steel
- Body ..... Zinc
- Bottom Plug ..... Nylon  
Optional ..... Brass
- Elastomers ..... Buna N
- Spring Case –
  - R10 ..... Acetal
  - R11 ..... Zinc

