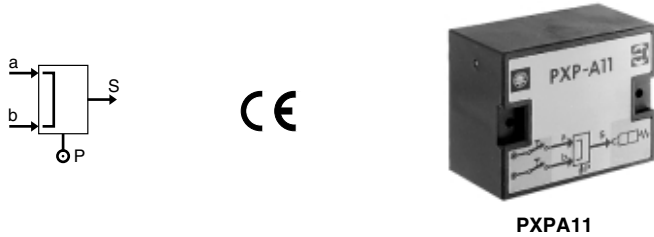


Module and Pre-Assembled Enclosure

Two-Hand Control Module



Part Number	Connections
PXPA11	5/32" Instant

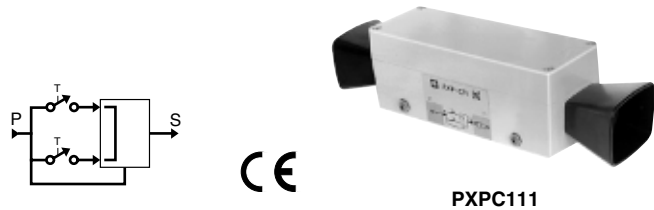
Guard For Two-Hand Control Module



Part Number	Base Component
PPRL15	PXPC111

Pre-Assembled Two-Hand Control Module

Comprising a Plastic Case with Two Mushroom Head Push Buttons and Guards



Part Number	Connections
PXPC111	5/32" Instant

Specifications

Air Quality

Standard Shop Air, Lubricated or Dry,
 40µm Filtration

Flow at 90 PSI (6 bar) in SCFM (l/mn ANR)

7 (200)

Materials

Body: Polyamide
 Operating Head: ... Zinc Alloy & Plastic

Nominal Bore Ø in Inches (mm)

7/64" (2.5)

Number of Operations with Dry Air at 90 PSI (6 bar) and 68°F (20°C) - Frequency 1 Hz
 1 million Operations.

Operating Positions

All Positions

Operating Pressure

40 to 115 PSIG (3 to 8 bar)

Ports

5/32" Instant for Semi-Rigid Nylon or Polyurethane Tube

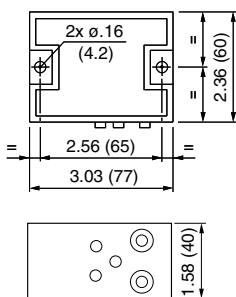
Temperature

Operating
 32°F to 122°F (0°C to + 50°C)

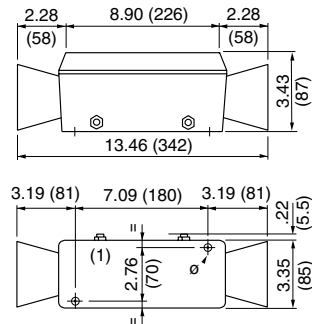
Storage
 -22°F to 140°F (-30°C to +60°C)

Dimensions

PXPA11



PXPC111



WARNING

These devices should **NOT** be used in any application involving rotary clutch presses. Two hand control modules do not of themselves insure the safety of any machine. Users and original equipment manufacturers are responsible for making sure that installations meet all relevant safety regulations.

Notes:

These two-hand control modules provide an output signal upon nearly concurrent operation of two pushbuttons.

